

# Parameter Table

## Electrical Data

Model	AOK-600WiSF	AOK-800WiSF	AOK-1200WiSF
Power(W)	600	800	1200
Input voltage	100-277VAC, 50/60Hz, 220-480VAC (for 800w-1200w)		
THD	<20%		
PF	>0.90		
Control Option	DALI, 1-10V/PWM/Timer dimming, Nema, Zhaga/Presence detection sensor.		
Operating temperature	-40°C to 50°C (-40 °F to 122 °F)		
Driver brand	Meanwell/Inventronics		
Surge Protection	20kV available		

## Photometric Data

Efficacy(lm/w) (CRI 70Ra, 4000K)	15D		30D		60D	
	120-125	120-130	120-130	120-130	120-130	120-130
Luminous flux (lm)	15D	72000-75000	96000-10000	144000-150000		
	30D	72000-78000	96000-10400	144000-156000		
	60D	72000-78000	96000-10400	144000-156000		
ULOR	= 0%, @ Luminaire inclination 0°					
CCT	2700K, 3000K, 4000K, 5000K, 5700K					
CRI	Ra70, Ra80, Ra90					
Beam angle	15D/30D/60D					
LED Manufacturer	LUMILEDS/Seoul					
LED model	Lumileds 5050/Z5M4 3535					
Working current of single LED	15D	1.030A	1.100A	1.086A		
	30D	0.517A	0.551A	0.540A		
	60D	0.517A	0.551A	0.540A		

Lens Polycarbonate + Tempered Glass

## Mechanical Data

IP/IK	IP65/IK08, according to standard EN 60529 and EN 62262		
Vibration resistance	3G, conform to standard IEC 68-2-6.		
SCx(EPA TypeA)	Front: 0.525831m <sup>2</sup> (5.66ft <sup>2</sup> )	Front: 0.525831m <sup>2</sup> (5.66ft <sup>2</sup> )	Front: 0.529547m <sup>2</sup> (5.7ft <sup>2</sup> )
	Side: 0.171870m <sup>2</sup> (1.857ft <sup>2</sup> )	Side: 0.171870m <sup>2</sup> (1.857ft <sup>2</sup> )	Side: 0.178838m <sup>2</sup> (1.925ft <sup>2</sup> )
SCx(EPA TypeB)	Front: 0.598789m <sup>2</sup> (6.44ft <sup>2</sup> )	Front: 0.598789m <sup>2</sup> (6.44ft <sup>2</sup> )	Front: 0.602749m <sup>2</sup> (6.49ft <sup>2</sup> )
	Side: 0.179702m <sup>2</sup> (1.91ft <sup>2</sup> )	Side: 0.179702m <sup>2</sup> (1.91ft <sup>2</sup> )	Side: 0.182180m <sup>2</sup> (1.96ft <sup>2</sup> )
Housing/Materials	Heavy-duty die-cast aluminum (EN AC-46100)		
Surface treatment	Anti-UV thermosetting polyester/80 micron epoxy primer + Anti-UV thermosetting polyester (for extremely corrosive environments).		
Painting	Black, Custom request		
Cable	Pre-wired with a 30 cm cable (Other lengths on request)		
Mounting	Top fixed/Yoke mount		

## Others

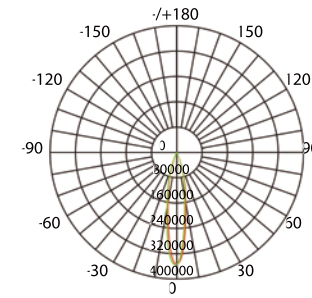
Lifespan	L90B10 - 52 000 h, @Tq 25°C		
Warranty	5 years (Warranty extension up to 10 years on request)		
Certification	UL/cUL/DLC/ROHS/CE/CB/TUV		

Product size(mm)	Type-A	927*685*268mm	927*685*268mm	952*685*268mm
	Type-B	896*710*420.5mm	896*710*420.5mm	896*710*420.5mm
Net weight(kg)	Type-A	20.8kg	20.8kg	25.9kg
	Type-B	25.1kg	25.1kg	30.1kg
Carton size	Type-A	815*705*300mm	815*705*300mm	815*705*300mm
	Type-B	725*725*350mm	725*725*350mm	725*725*350mm
Gross weight	Type-A	29.9kg	29.9kg	38kg
	Type-B	34.2kg	34.2kg	42.2kg

Application Suitable for stadium, sports field, port, railway station

# Photometrics

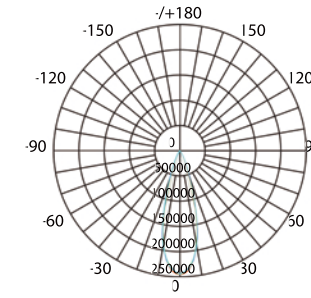
## 15D



AVERAGE BEAM ANGLE(50%):18.2 DEG  
JNIT:cd

C0/180 Ic:353054 C90/270 Ic:354895  
3.2,9.1 10.0,8.2

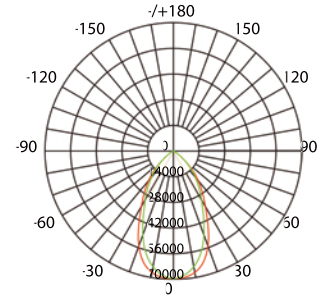
## 30D



AVERAGE BEAM ANGLE(50%):29.8 DEG  
JNIT:cd

C0/180,29.5deg C60/240,29.9deg  
C30/210,29.6deg C90/270,30.1deg

## 60D



AVERAGE BEAM ANGLE(50%):57.4 DEG  
JNIT:cd

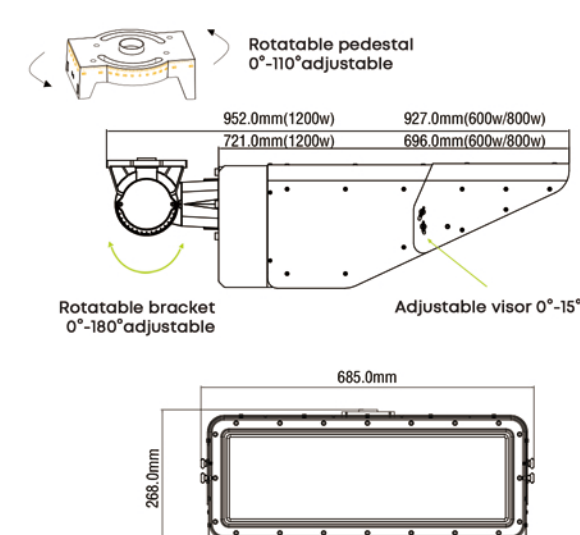
C0/180 Ic:69654 C90/270 Ic:69607  
30.1,30.1 27.3,27.3

# Ordering Information

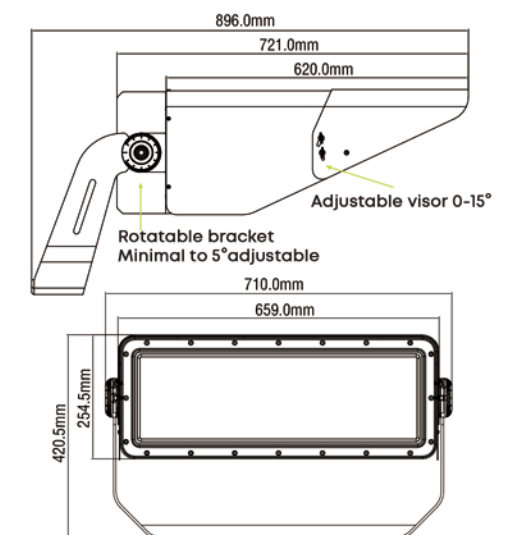
AOK-	WATTS	VOLTAGE	LED CHIPS	TYPE OF SENSOR	CCT&CRI	DISTRIBUTION	MOUNT	COLOR
600WiSF	NV=100-277V	L5=LUMILEDS 5050	00=Without Sensor	2770=2700K 70CRI	15=15D	A=Top fixed	BK=Black	
800WiSF	HV=220-480V	Z5M4=Seoul 3535	SN=Motion Sensor	3070=3000K 70CRI	30=30D	B=Yoke mount		
1200WiSF			PH=Photocell	4070=4000K 70CRI	60=60D			
			DV=Dimmable	5070=5000K 70CRI				
				5770=5700K 70CRI				
				2780=2700K 80CRI				
				3080=3000K 80CRI				
				4080=4000K 80CRI				
				5080=5000K 80CRI				
				5780=5700K 80CRI				

# Dimension

## TYPE-A: Top Fixed Installation



## TYPE B: Mount Yoke



## ISF Series Specification Sheet

\*Due to the constant improvements in product development, individual parameters might change. Please refer to our sales or R&D team for most up-to-date content as specifications are subject to change without notice.

Info@aokledlight.com  
+1 626-986-4050 (US)  
+86 755 2357 9148 (CN)

©2021 AOK LED LIGHT CO., LTD. All Right Reserved.

