

200+ Patent Certificates
\$1,000,000+ Annual Energy Saving
10,000+ Projects Successfully Installed



HMA Series High Mast Light / Flood Light

Power: 400W / 480W / 600W



Innovative & Tailored
Lighting Solutions for **Success**
www.aokledlight.com

Flexible & Versatile **HMA** Series

HMA-TYPE A



TOOL-FREE
MAINTENANCE







TEMPERED
Glass

HMA-TYPE B



Advantages of HMA LED Highmast Light

-  • **Tool-less Maintenance**
The driver box requires no tools for maintenance and is easily manageable. Hand clamp-proof.
-  • **Light Weight**
The fixture weighs a mere 11 kg (Type-B) at its minimum, easy for individual installations.
-  • **Flexible Installation**
Side entry or U-bracket mount, and both are easy to customize and use.
-  • **A Variety of Distribution Optional**
Abundant light dispersion that can be tailored to specific lens requirements.
-  • **High Adaptability**
Type-A suitable for lamp poles with outer ϕ 42/60/76mm, adjustable within ± 5 degrees.
-  • **Exceptional Impact Resistance**
Polycarbonate lens with 5mm thick tempered glass (optional) for IK09 and 3G shake-proof.



WARRANTY

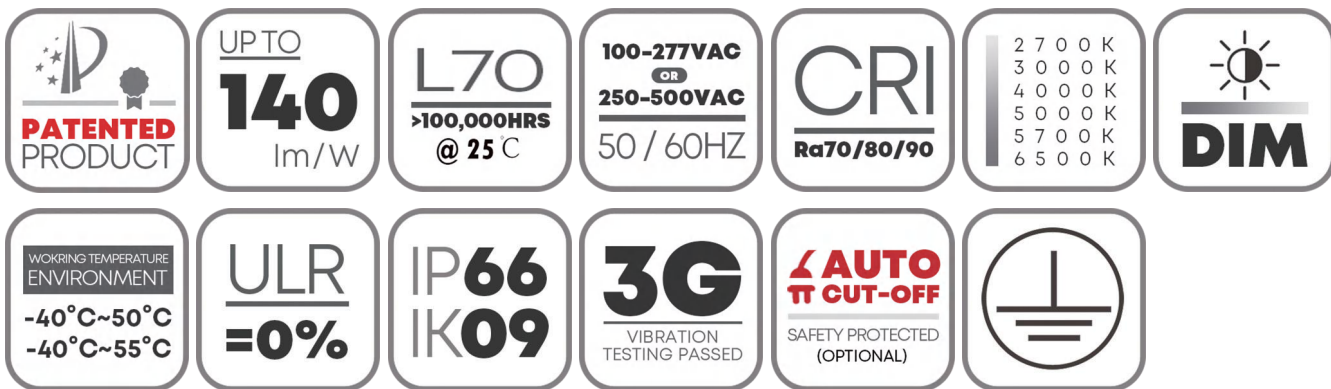
5 Year Limited Warranty,
10 Year Preferred Warranty.
Please consult with our sales for detailed agreement.



For other certificates please request

HMA series is a versatile lighting solution featuring two models, an innovative design, and a flexible mounting bracket suitable for a wide range of applications. This product is known for its light-weight construction, effortless installation, and exceptional light distribution quality, making it suitable for various scenarios including high mast and flood lighting.

- Heavy-duty die-cast aluminum (ADC12) housing, perfect heat dissipation;
- High efficiency driver, Inventronics, Osram or other brands, Class 1, EU;
- Lumileds 5050, Seoul5050, Osram P8 light source, other brands optional;
- Anti-UV thermosetting polyester / 80 micron epoxy primer + Anti-UV thermosetting polyester (for extremely corrosive environments);
- Control options: DALI, 0-10V/ PWM / timer dimming, Nema, NTC, Presence detection sensor. Dim-to-Off with standby power $\leq 0.5W$.
- 100% precise lighting distribution, ULOR=0%, no upper light pollution.



wally@okledlight.com
 +1 626-986-4050 (US)
 +86 755 2357 9148 (CN)

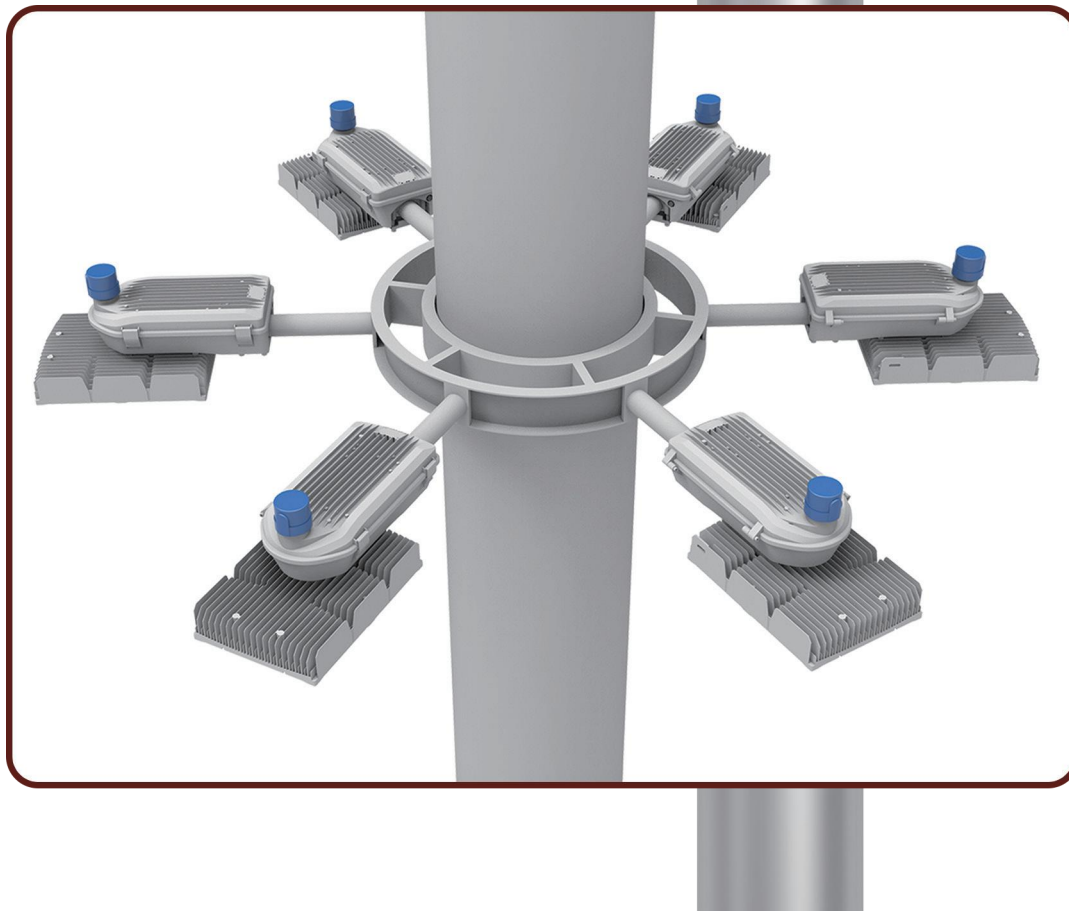
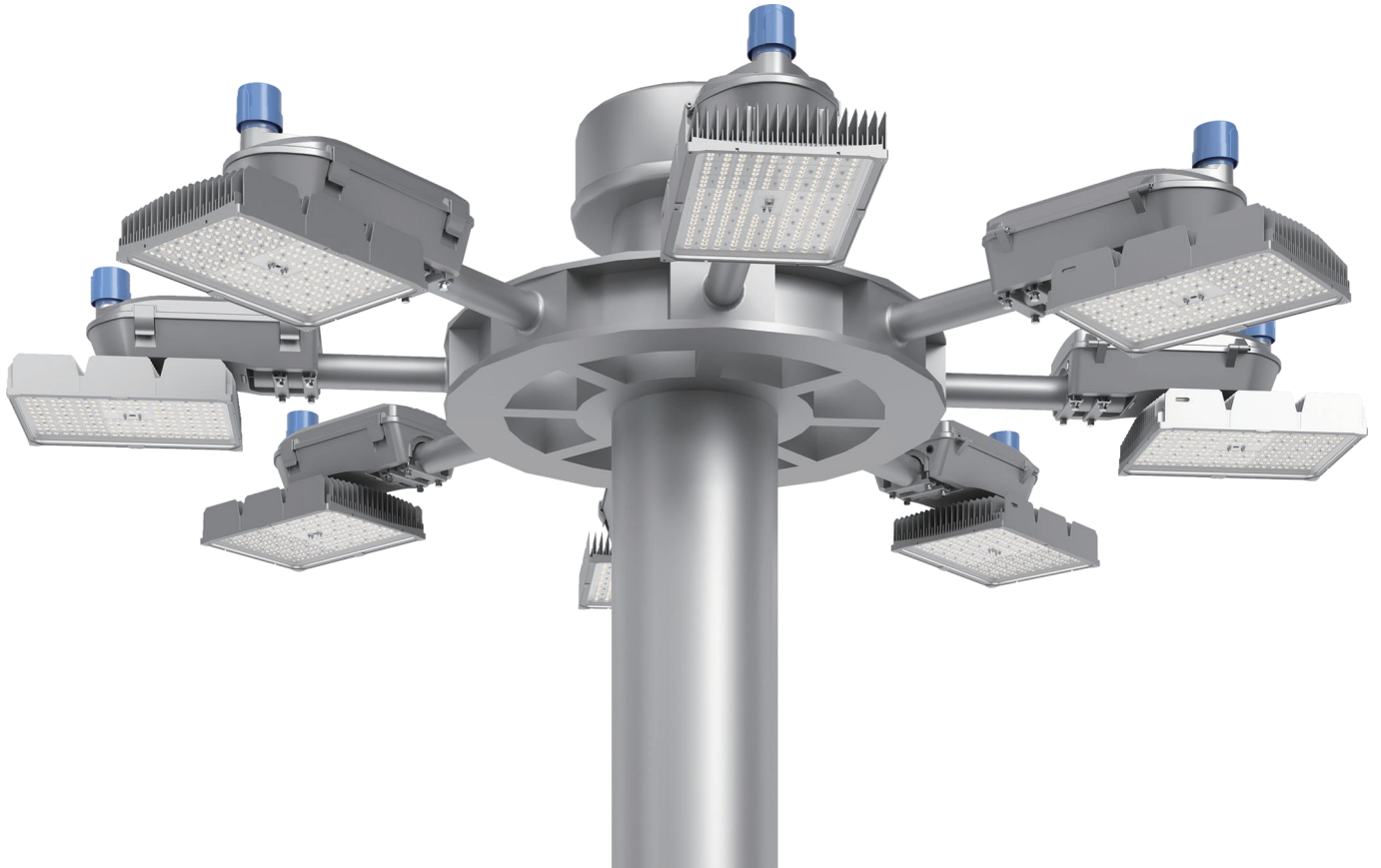
©2024 AOK LED LIGHT CO., LTD. All Right Reserved.



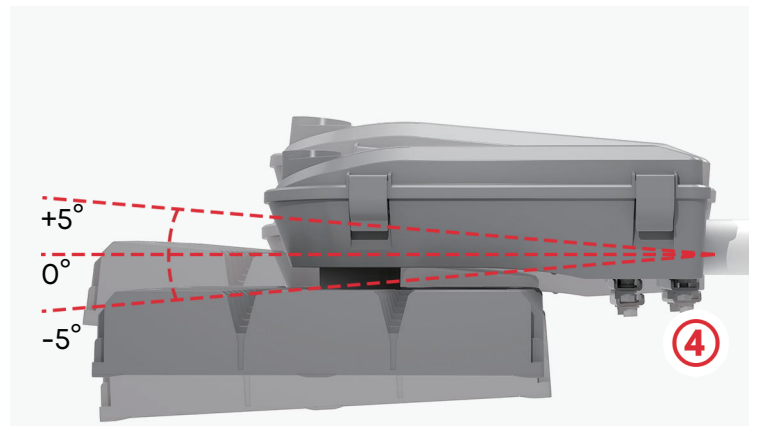
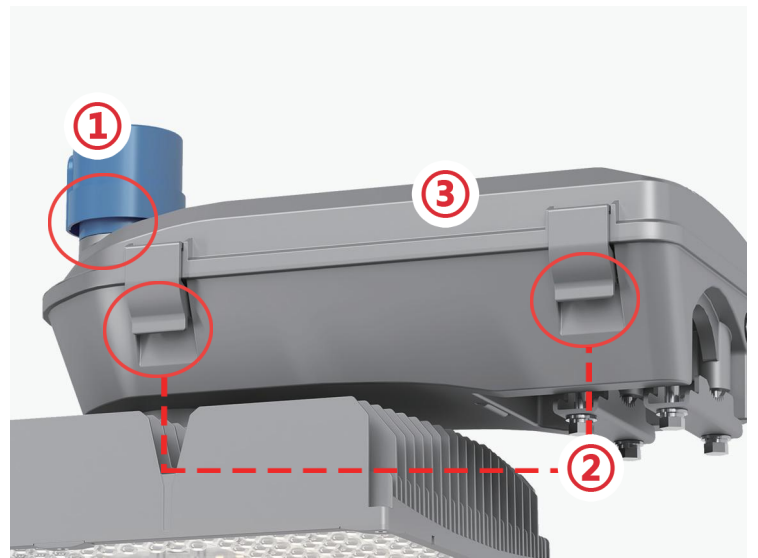
Convenient Solutions

For All Installation Requirements

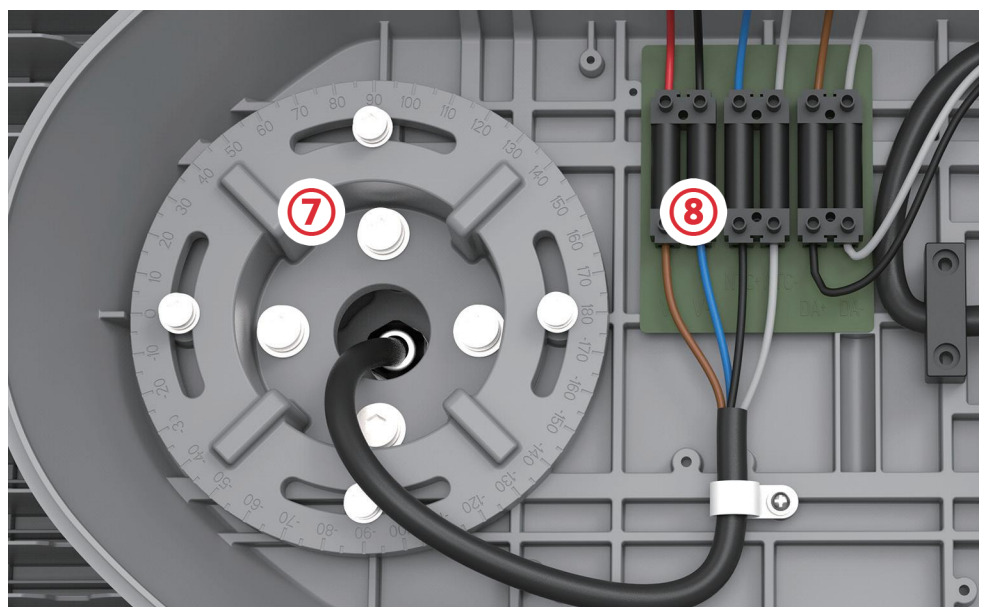
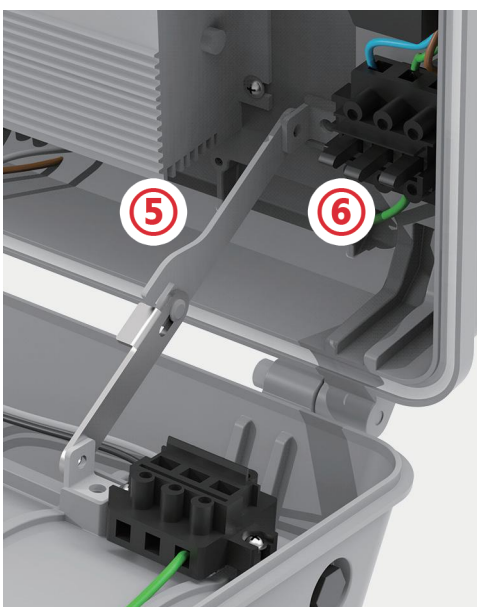
Type-A Highmast Installation



- ① **Sensor Mounting Hole:**
Reserved on the top for simplified future installations.
- ② **Buckle Design:**
Tool-less entry, hinged removable door for convenient maintenance.
- ③ **Driver Box:**
Enhances heat dissipation, protecting the power supply and extending fixture lifespan.
- ④ **Adjustable Mounting:**
Slip fitter with $\pm 5^\circ$ lateral adjustable angle.
- ⑤ **The support rod is optional**
Built-in support rod, easy to open, prevents hand clamping.
- ⑥ **Auto cut-off protector is optional**
Built-in power protection device, more secure maintenance.
- ⑦ **Built-in Dial Plate**
360° rotation, accurately adjust the irradiation angle.
- ⑧ **Neat Wiring**
Reasonable planning of internal wiring, more convenient installation and connection.



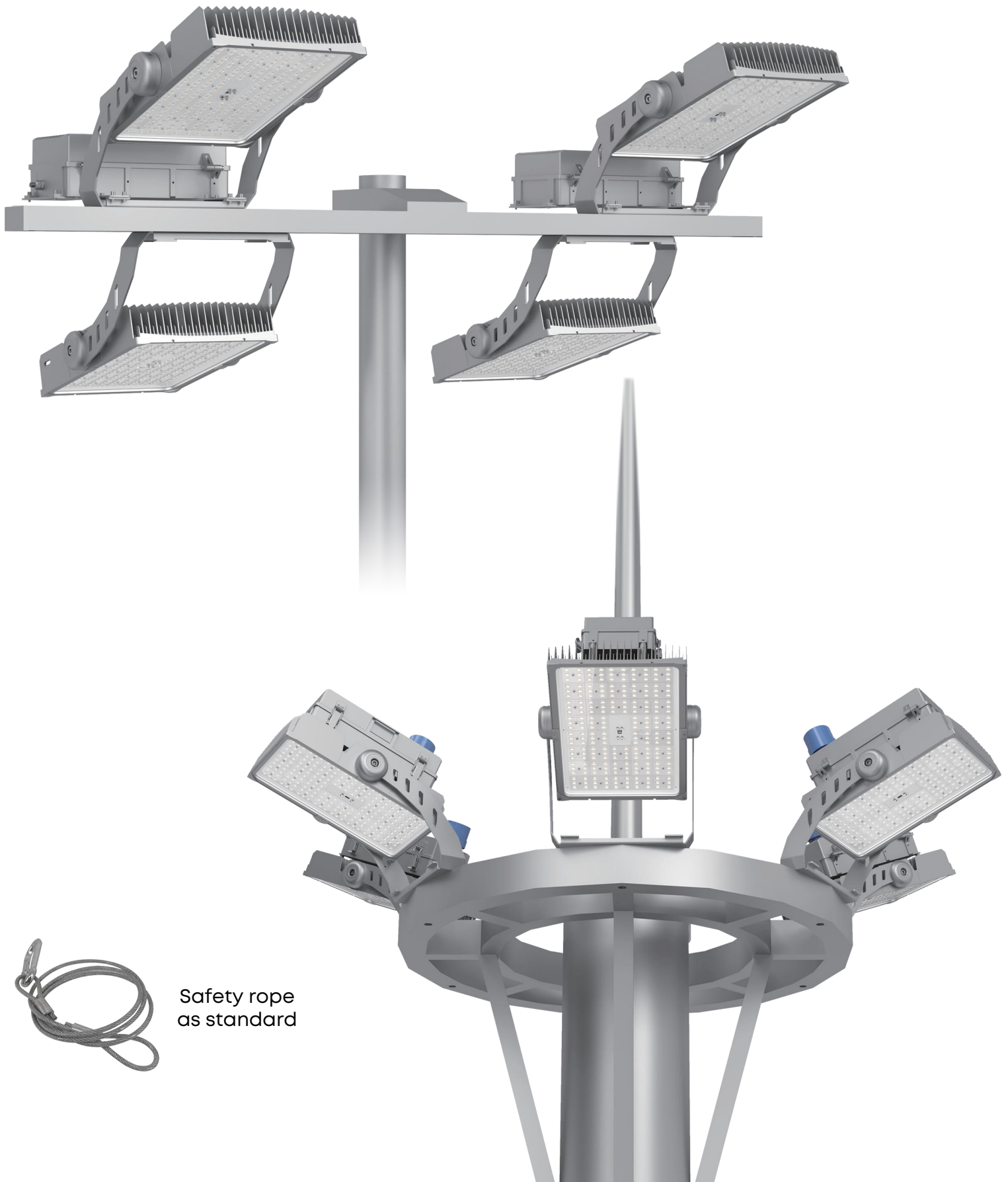
Safety rope as standard



Convenient Solutions

For All Installation Requirements

Type-B Floodlighting Installation



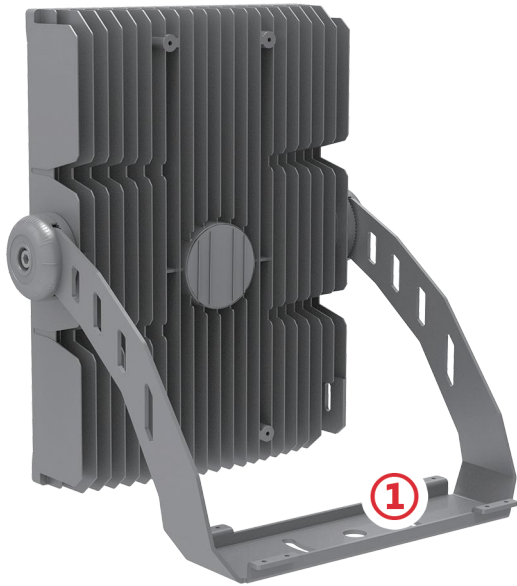
Safety rope
as standard

① Various installation options:
Choose from 3 flexible configuration schemes based on the project requirements.

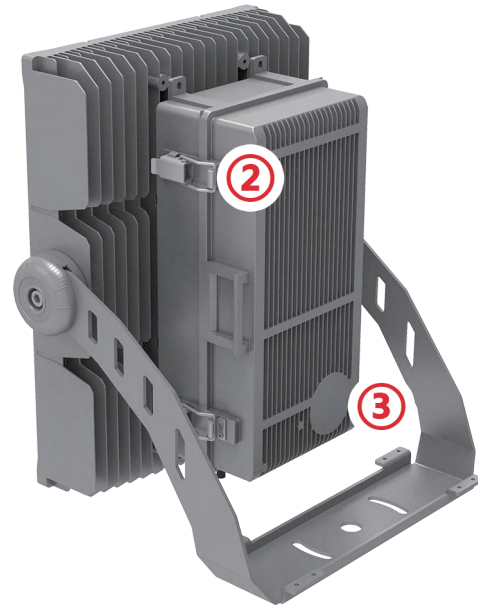
② Buckle Design:
Tool-free entry, hinged removable door for convenient maintenance.

③ Reserved Sensor Position:
Reserved space for future upgrade.

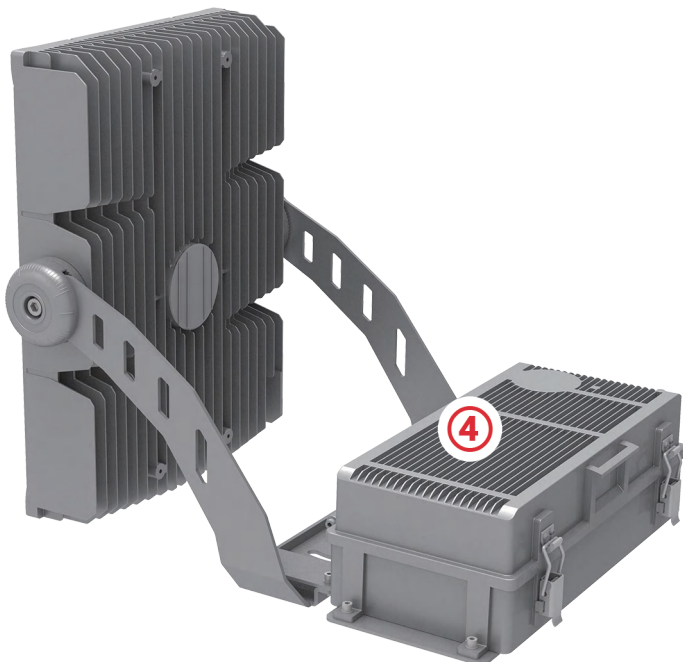
④ Driver Box:
Enhances heat dissipation, protecting the power supply and extending fixture lifespan.



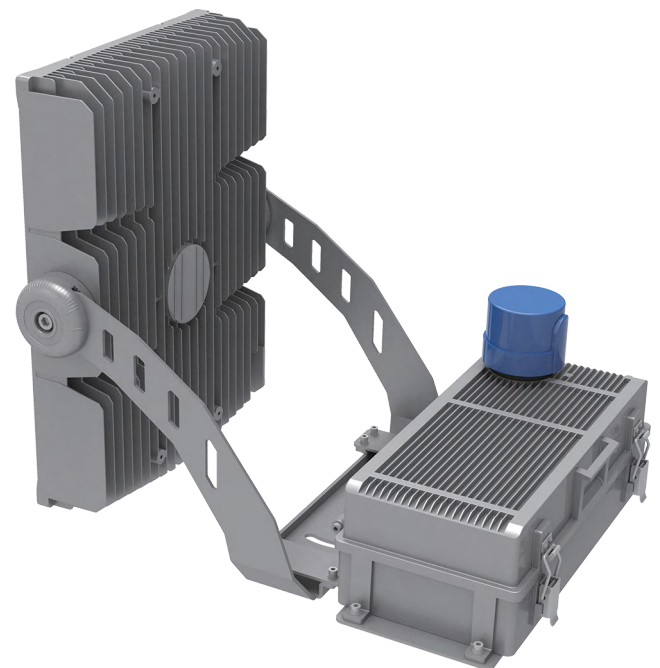
Type-B (U-bracket split mode)



Type-BXR (Driver on the back)

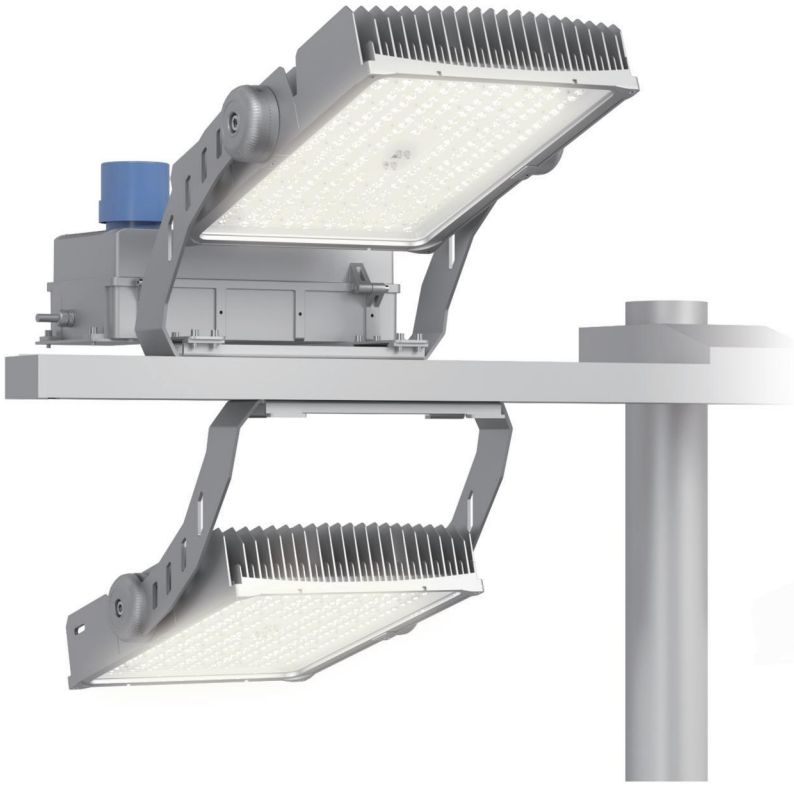


Type-BXS (Driver on the bracket)



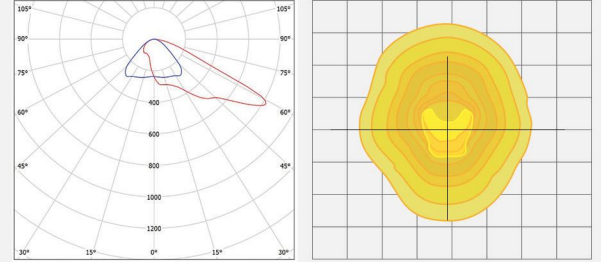
Type-BXS (Driver on the bracket)
With socket base or sensor

Photometrics & Control Systems

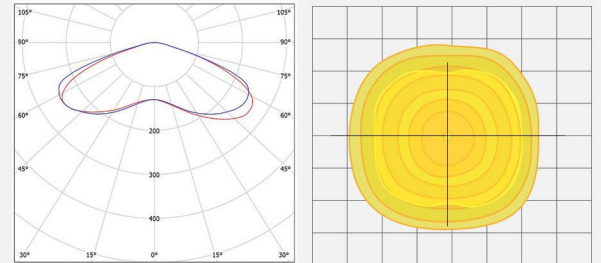


Thanks to its new symmetric/asymmetric light distribution system, it precisely focus the light onto the road or ground, and only there. There is no spill light or intrusive light, keeping the night sky dark. Nature and residents remain undisturbed.

Type-III (20x105°)



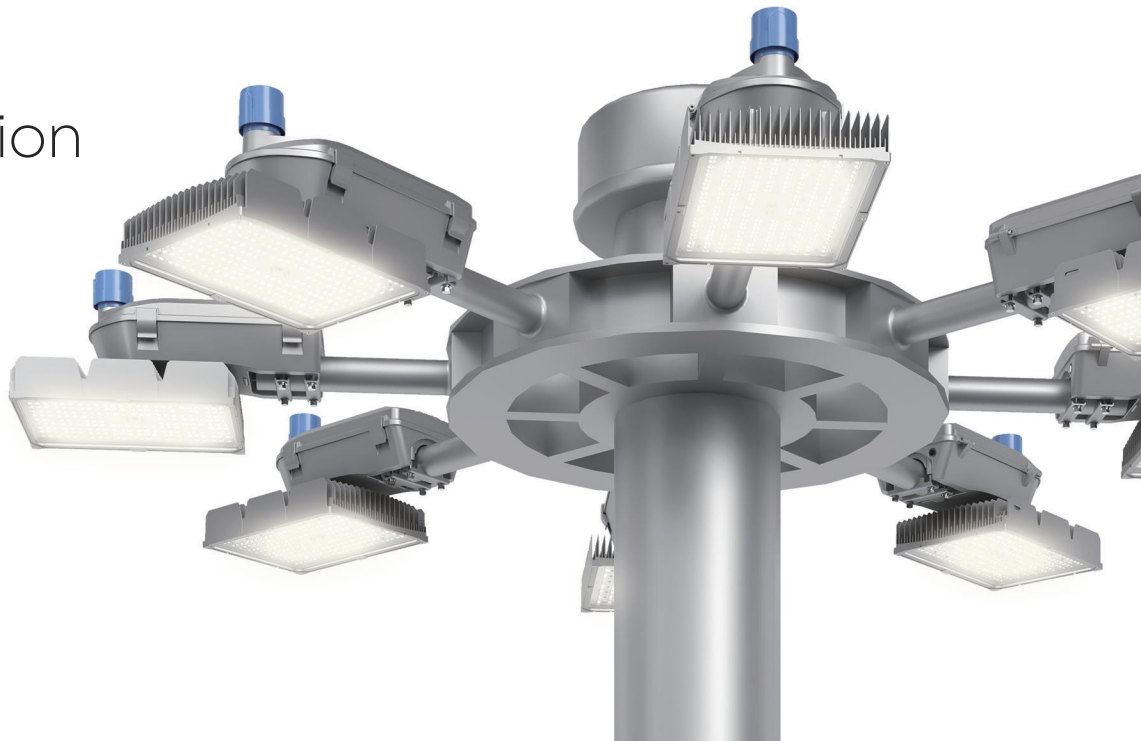
Type-V (150x150°)



Various light distributions are available for customization, allowing for flexible combinations.

ULOR=0%

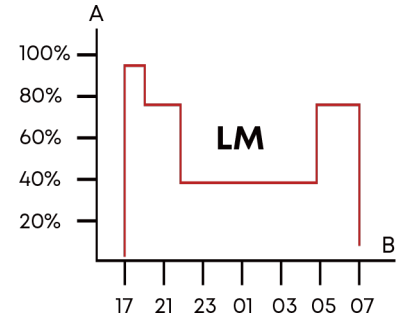
100% precise
0% light pollution



7

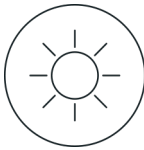
Custom Dimming Profile

Smart luminaire drivers enable the programming of complex dimming profiles without extra wiring. Customized time intervals and light levels contribute to maximum energy savings, maintaining required lighting levels and uniformity throughout the night.



Daylight Sensor / Photocell

Photocell or daylight sensors switch the luminaire on as soon natural light falls to a certain level. It can be programmed to switch on during a storm, on a cloudy day (in critical areas) or only at night-fall so as to provide safety and comfort in public spaces.



2

3

Smart standards. Smarter lighting.

LoRaWAN® Luminaire Controller Zhaga is a wireless device for remote LED luminaire control with a Zhaga-compliant connector and DALI interface. It's compatible with LoRaWAN®, NB-IoT, and LTE-M networks, featuring a modern, compact design suitable for various street lighting modules.

LoRaWAN® Luminaire Controller NEMA is designed for LED luminaires with an ANSI C136.41 NEMA receptacle. It controls the luminaire through DALI or 0-10V analog interfaces and provides a secure power connection with three robust twist lock contacts.

Application Reference

- Highway interchange
- Highmast
- Quay crane
- Port & loading bay
- Toll plaza
- Airport apron
- Car Parks
- Sports lighting
- Facade lighting





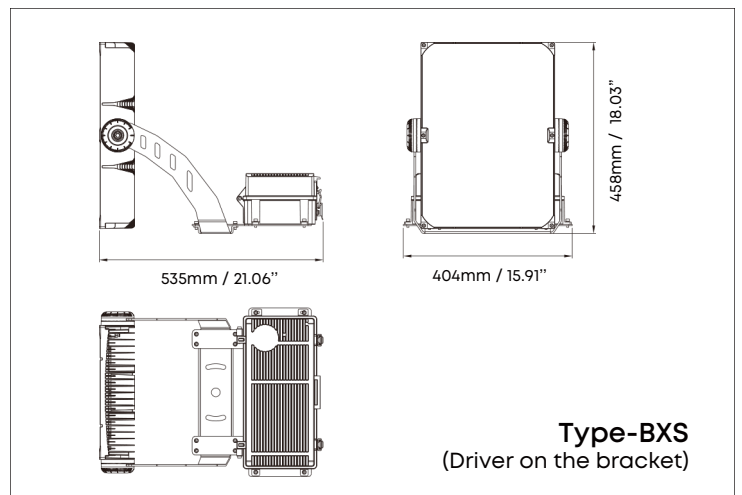
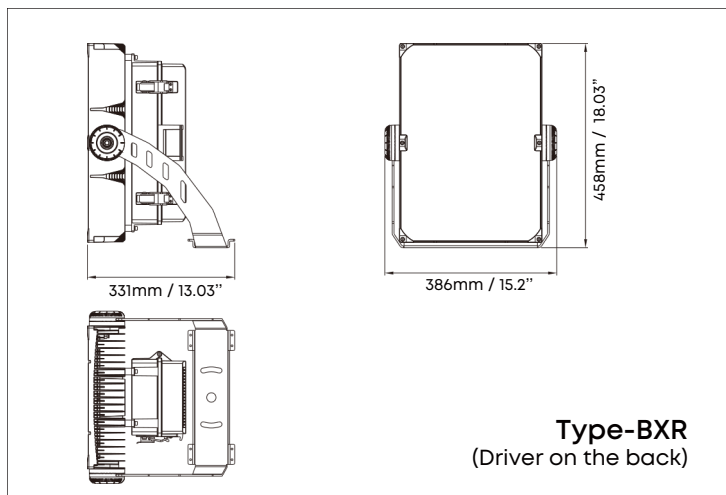
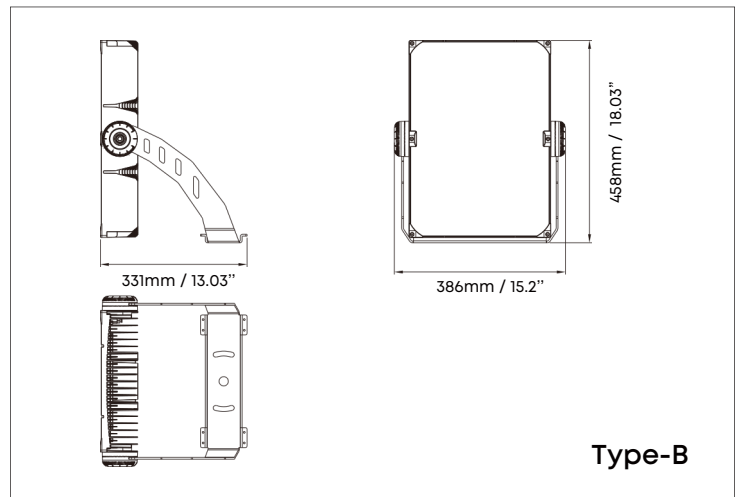
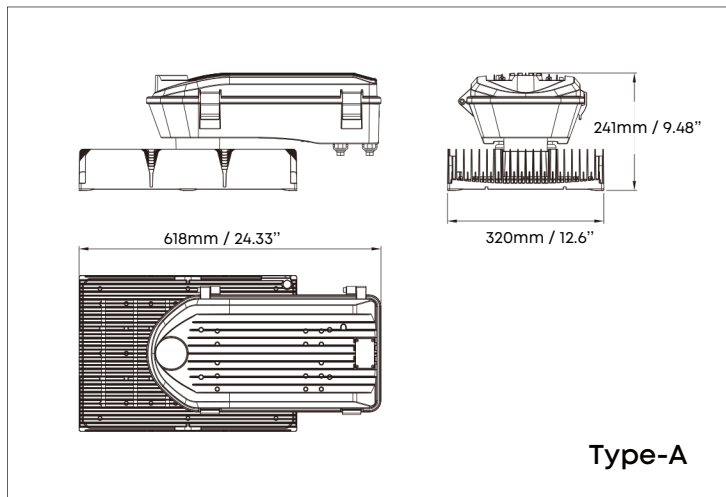
Parameter Table

Electrical Data					
Model	AOK-400WHMA		AOK-480WHMA		AOK-600WHMA
Input Voltage	100-277VAC/250-500VAC				
THD (220Vac)	≤10%				
PF(220Vac)	≥0.96				
Driver	Inventronics / OSRAM / Class 1, EU				
Operating Temperature	-40°C to 55°C (-40 °F to 131 °F)		-40°C to 50°C (-40 °F to 122 °F)		
Control Option	DALI, 0-10V/ PWM / timer dimming, Nema, NTC, Presence detection sensor. Dim-to-Off with standby power <= 0.5W.				
Surge Protection	10kV / 20kV optional				
Photometric Data					
Efficacy(lm/W)(CRI 70Ra, 5000K,277Vac)(Std Dev ±5%)	Type-III-P8 (20x105°)	140lm/W	140lm/W	140lm/W	
	Type-V-L5 (150x150°)	140lm/W	140lm/W	140lm/W	
Luminous flux (lm) (CRI 70Ra, 5000K,277Vac)(Std Dev ±5%)	Type-III-P8 (20x105°)	56000lm	67200lm	84000lm	
	Type-V-L5 (150x150°)	56000lm	67200lm	84000lm	
ULR	= 0%, @ Luminaire inclination 0°				
CCT	2700K, 3000K, 4000K, 5000K, 5700K, 6500K				
CRI	70Ra, 80Ra, 90Ra optional				
Beam Angle	Type-III (20x105°) / Type-V (150x150°)				
LED Manufacturer	LUMILEDS/Seoul/OSRAM				
LED Model	Lumileds 5050/Seoul5050/OSRAM P8				
Lens	Polycarbonate+tempered glass(5 mm thick)				
Mechanical Data					
IP/IK	IP66/IK09, according to standard EN 60529 and EN 62262				
Vibration Resistance	3G, conform to standard IEC 68-2-6.				
SCx	Type-A (Highmast)	Front: 0.05 m²; Side: 0.1 m²			
	Type-B (U-bracket split mode)	Front: 0.15 m²; Side: 0.05 m²			
	Type-BXR (Driver on the back)	Front: 0.15 m²; Side: 0.09 m²			
	Type-BXS (Driver on the bracket)	Front: 0.16 m²; Side: 0.08 m²			
Materials	Heavy-duty die-cast aluminum (ADC12)				
Painting	Gray (Cool Gray 5C), Custom request				
Surface Treatment	Anti-UV thermosetting polyester / 80 micron epoxy primer + Anti-UV thermosetting polyester (for extremely corrosive environments).				
Cable	Pre-wired with a roughly 80 cm cable (Other lengths on request)				
Mounting	Type-A (Side entry) / Type-B (U bracket)				
Others					
Lifespan	L70 > 100000hrs, @Ta 25°C				
Warranty	5 years (Warranty extension up to 10 years on request)				
Certification	Please request for details				
Product Size	Type-A	618*320*241mm / 24.33*12.6*9.48 inches			
	Type-B	458*386*331mm / 18.03*15.2*13.03 inches			
	Type-BXR (Driver on the back)	458*386*331mm / 18.03*15.2*13.03 inches			
	Type-BXS (Driver on the bracket)	535*404*458mm / 21.06*15.91*18.03 inches			
Carton Size	Type-A	680*380*295mm / 26.77*14.96*11.61 inches			
	Type-B	645*445*175mm / 25.39*17.52*6.89 inches			
	Type-BXR (Driver on the back)	625*445*300mm / 24.61*17.52*11.81 inches			
	Type-BXS (Driver on the bracket)	625*445*315mm / 24.61*17.52*12.4 inches			
Net Weight	Type-A	17.3kg / 38.14lbs			
	Type-B	11kg / 24.25lbs			
	Type-BXR (Driver on the back)	16.3kg / 35.94lbs			
	Type-BXS (Driver on the bracket)	17.3kg / 38.14lbs			
Gross Weight	Type-A	18.8kg / 41.44lbs			
	Type-B	12.2kg / 26.90lbs			
	Type-BXR (Driver on the back)	17.6kg / 38.80lbs			
	Type-BXS (Driver on the bracket)	18.6kg / 41.01lbs			
Standard Accessories	Safety wire rope				
Optional Accessories	NEMA socket, Photocell (with Nema), Circuit breaker, Breather vent, 20KV SPD				
Application Field	Highway interchange, Highmast, Quay crane, Port & loading bay, Toll plaza, Airport apron, Car Parks, Sports lighting, Facade lighting				
Important Note!	The provided information is solely for reference; the official measurement report holds higher authority.				

Ordering Information

AOK							
WATTS	VOLTAGE	LED CHIPS	TYPE OF SENSOR	CCT&CRI	DISTRIBUTION	MOUNT	HOUSING
400W HMA	NV=100-277V	L5=Lumileds 5050	00=Without Sensor	2770=2700K 70CRI	T3=Type III (20x105°)	A=Side entry	GR=Gray
480W HMA	HV=250-500V	S5=Seoul 5050	DV=Dimmable	3070=3000K 70CRI	T5=Type V (150x150°)	B=U bracket	
600W HMA		P8=OSRAM P8	PH=Photocell	4070=4000K 70CRI			
				5070=5000K 70CRI			
				5770=5000K 70CRI			
				6570=6500K 70CRI			
				2780=2700K 80CRI			
				3080=3000K 80CRI			
				4080=4000K 80CRI			
				5080=5000K 80CRI			
				5780=5700K 80CRI			
				6580=6500K 80CRI			

Dimension





Quality, Honesty, Service and Innovation

Innovative & Tailored Lighting Solutions for **Success**



WARRANTY

5 Year Limited Warranty,
10 Year Preferred Warranty.

Please consult with our sales for detailed agreement.

wally@aokledlight.com

www.aokledlight.com

+1 626-986-4050 (US)

+86 755 2357 9148 (CN)

Manufacturing: Building 1 & 4, St. George's Science and Technology Industrial Park, Shajing Street,
Shenzhen, China, 518124.

Fuzhou HQ: Room 301, Yujing Business Center Zone 1, No. 12 Baihuazhou road, Cangshan district,
Fuzhou, China, 350007

North America HQ: 17531 Railroad St, Suite F, City of industry CA91748 USA

Copyright ©2024 AOK LED LIGHT CO., LTD. All Right Reserved.