



ISF LED STADIUM LIGHT
400W/600W/800W/1200W/1500W/1800W



100+ Patent Certificates
\$1,000,000+ Annual Energy Saving
10,000+ Projects Successfully Installed

**Better Performance
Starts From Better Lighting**
www.aokledlight.com



For other certificates please request

> Features of ISF Series

The ISF Series Stadium Floodlight represents a new generation of outstanding lighting solutions, boasting easy maintenance, easy installation, versatile light distribution options, and professional-grade features. Its exceptional optical design ensures outstanding performance, making it the ideal choice for illuminating outdoor large venues and events, saving maintenance budget and operating costs.

- Up to 150lm/W, power range: **400W-1800W**.
- Modular design, a maximum of 3 modules available.
- UV stabilized polyester powder paint finish for durability and corrosion resistance.
- Die-casting aluminum, excellent heat dissipation design, more conducive to prolong the lifespan.
- Excellent lighting system design, better performance.
- Eco-friendly, the lighting around the site is not plagued by light pollution.
- The illumination of the site is significantly improved, with better uniformity, and the overflow light is reduced to a minimum.

UP TO 150 lm/W	NV: 100-240V HV: 200-440V HV: 198-440V 50/60HZ	THD <20%	L90B10 >100000hrs @ 25°C	Working Temperature Environment -40°C~50°C (-40°F~+122°F)
IP66 IK08	3G VIBRATION TESTING	CRI 70/80/90	DIM	

APPLICABLE TO 4K & HD TV LIVESTREAM (Optional)

TLCI>95

GR<40

DMX or DALI 2 Control Options

Please consult for details (in certain configurations), and requirements.



UP TO 1800W MODULAR

Modular construction, concealed wiring layout, hassle-free upkeep. Maximum power to 1800W.



LIGHTWEIGHT MAX. <30KG

The 1800W fixture's overall weight is <30KG (excluding the driver box), enhancing safety.



FOR TV BROADCAST

ISF ensures superb TV footage with high TLCI LED sources (>95) for flicker-free super slow-motion.



CONVENIENT INSTALLATION

Mounting options include Type-A, Type-B, and Type-C, providing easy installation and versatile adaptability.



WARRANTY
5 Year Limited Warranty,
10 Year Preferred Warranty.
Please consult with our sales for detailed agreement.

wally@aokledlight.com
+1 626-986-4050 (US)
+86 755 2357 9148 (CN)

©2023 AOK LED LIGHT CO., LTD. All Right Reserved.



> Perfect Design for Gaming

Multiple mounting options turn installation & maintenance job into a easy way. Installation options include integrated and split setups, with driver box maintenance requiring no tools. You can easily adjust the position, either on the bracket or using a remote power box, ensuring straightforward and convenient maintenance.



HEAT SINK

- Die-casting aluminum ADC12, high thermal conductivity
- Unique convective air cooling design
- Machined smooth surface for maximum heat transfer of the LEDs
- Maintains low LED junction temperature for high wattage operation

WATERPROOF RING

- High-temperature resistance materials
- Aging resistance, excellent sealing

TEMPERED GLASS

- Impact-resistant IK08
- High transparency

U-BRACKET

- Maintains alignment is up to 150 mph winds.
- Type-A/Type-C mount optional.

LED PANEL

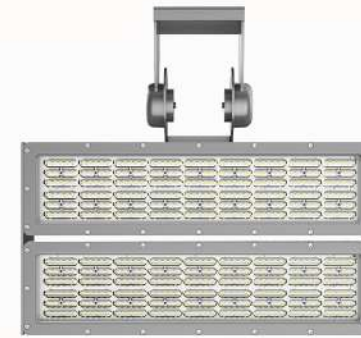
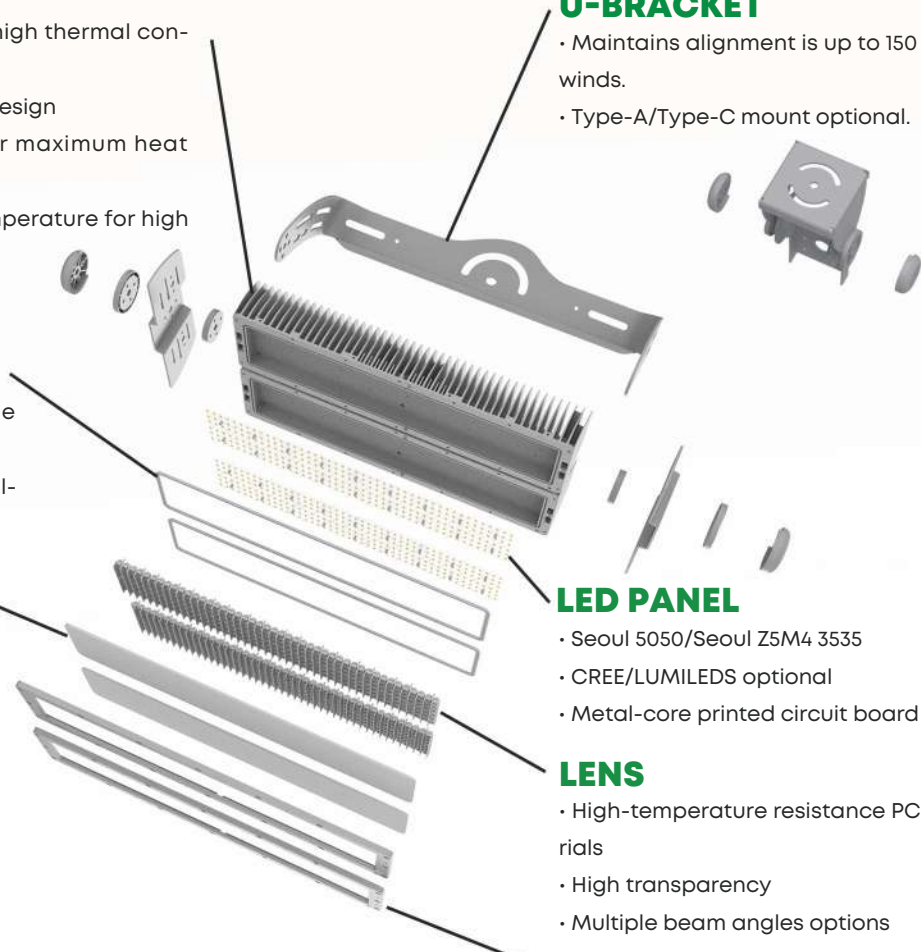
- Seoul 5050/Seoul Z5M4 3535
- CREE/LUMILEDS optional
- Metal-core printed circuit board

LENS

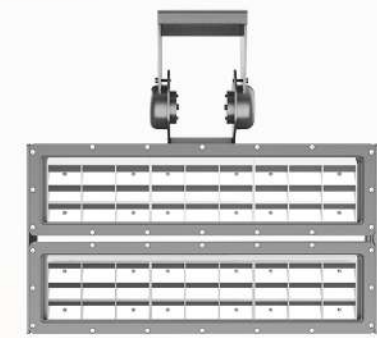
- High-temperature resistance PC materials
- High transparency
- Multiple beam angles options

SURFACE COVER

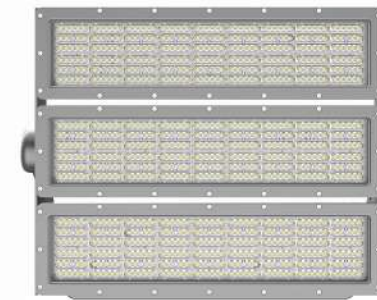
- Perfectly sealed to keep optics away from harmful environmental elements
- High-strength material ADC12 frame



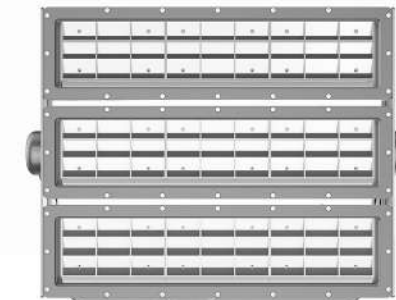
Type-A (Optical Lens)



Type-A (With Reflector)



Type-B (Optical Lens)



Type-B (With Reflector)

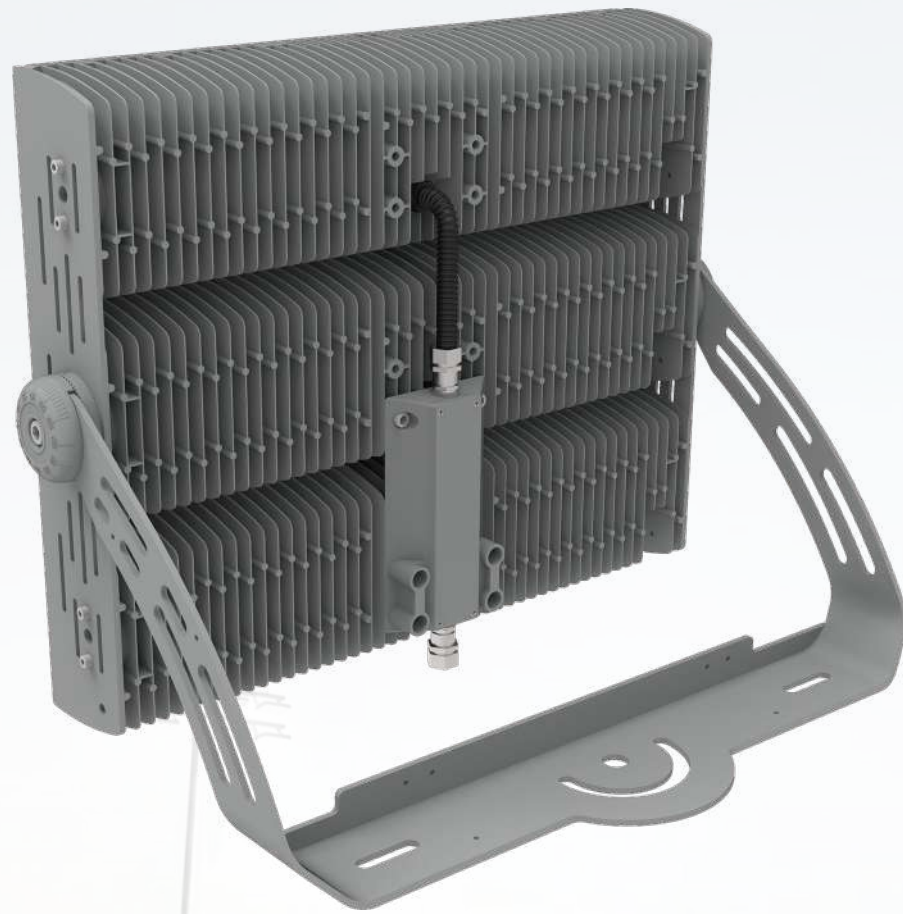


Type-B Power Supply Split Installation



Type-Bx Driverbox Integrated with Bracket

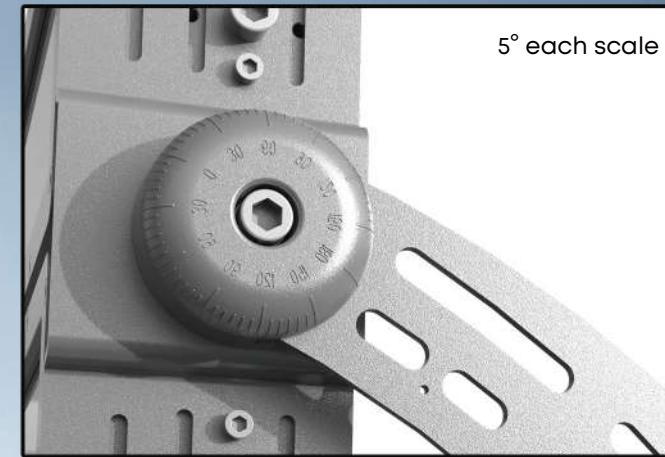
> Flexible & Convenient Installation



Laser aiming optional

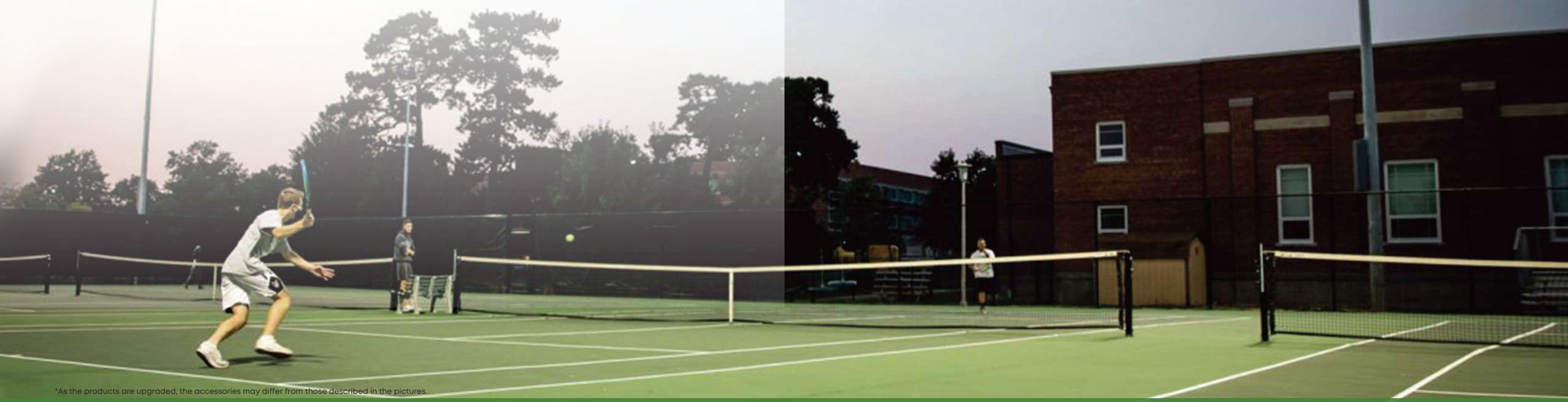


Safety rope optional



Yoke Mount

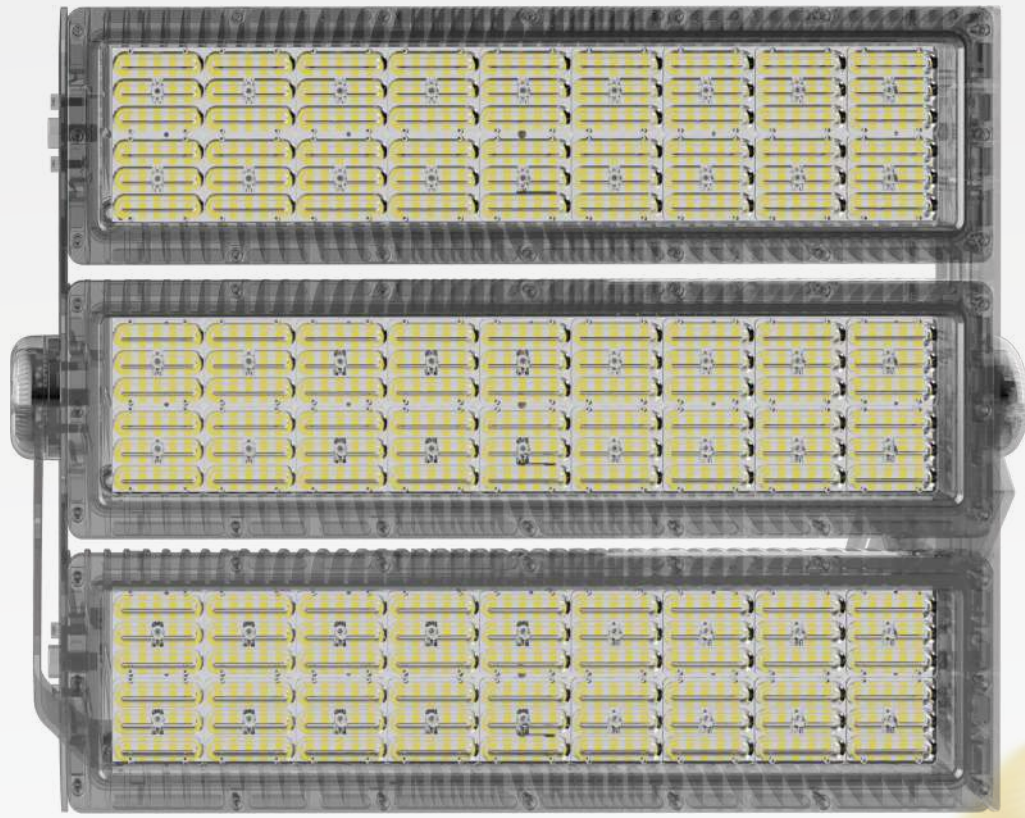
The Bracket of iSF is made of 304 stainless steel (optional), with super corrosion resistance. It is adjustable and tiltable on the horizontal plane ($\pm 90^\circ$), rotation range on vertical: $+110^\circ/-180^\circ$. It is also available for inverted mounting, guaranteeing great installation versatility.



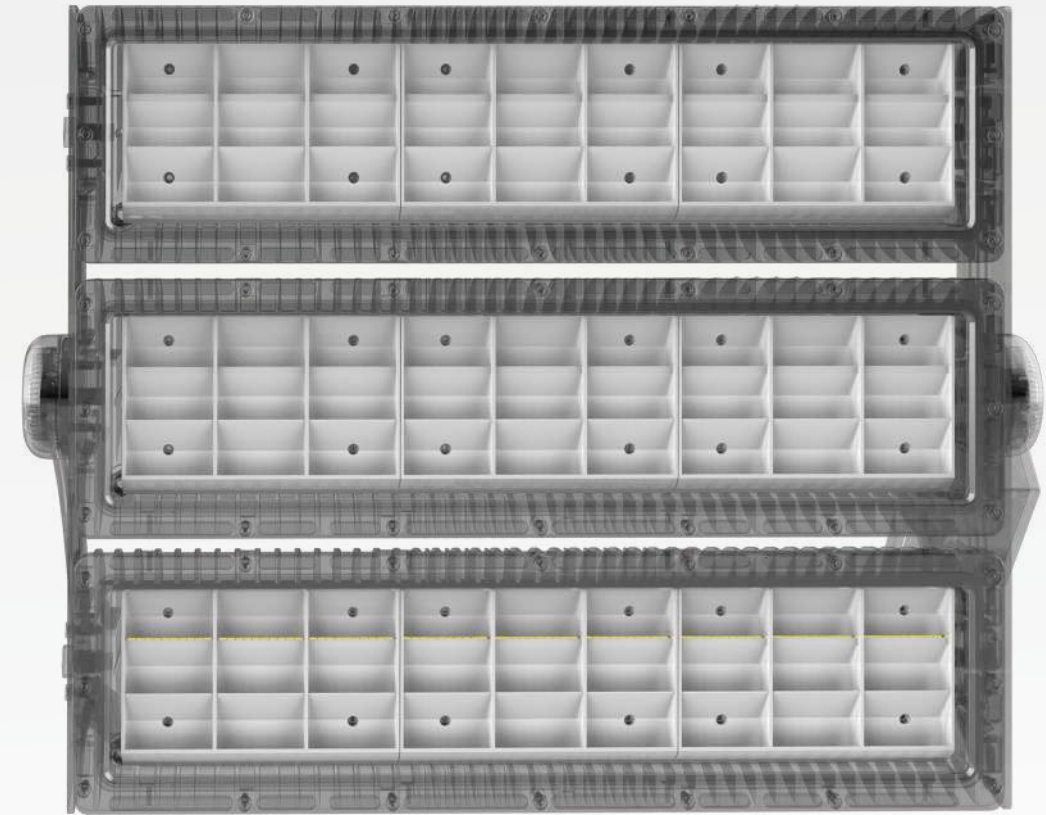
*As the products are upgraded, the accessories may differ from those described in the pictures.

*Due to the constant improvements in product development, individual parameters might change. Please refer to our sales or R&D team for most up-to-date content as specifications are subject to change without notice.

> Photometric Design

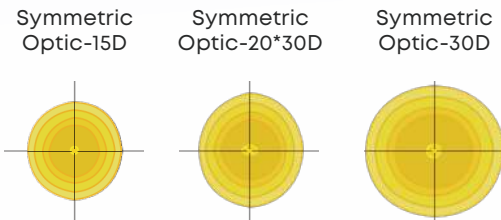


With a concealed reflector design, the fixture remains invisible at night except for its light, reducing glare.

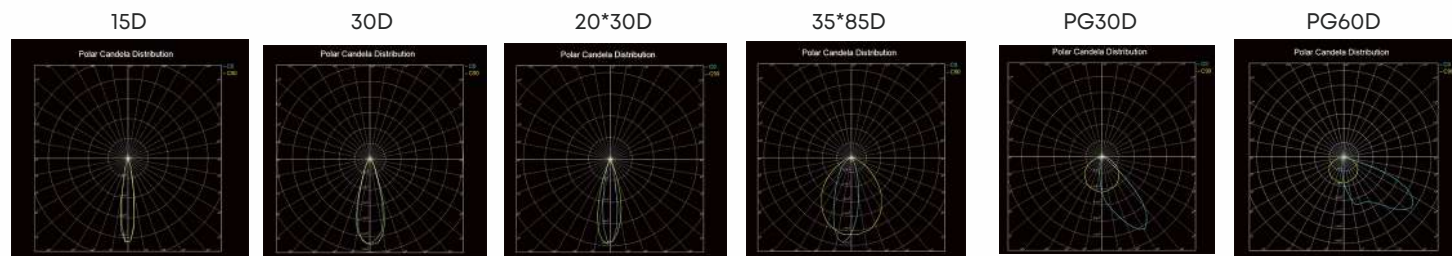
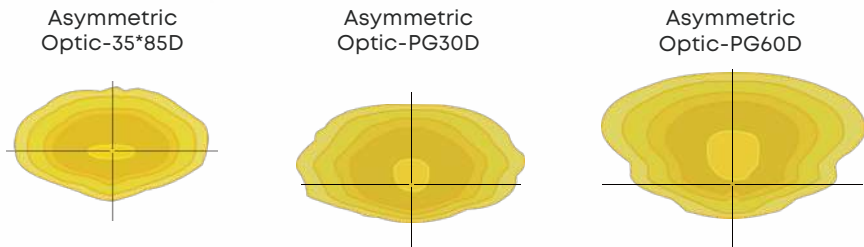


Accurate light distribution design to ensure accurate lighting, Seoul or CREE/LUMILEDS LED chips to ensure the best lighting performance.

Distribution Design



Distribution Design - With Reflector



ULOR=0%

100% precise-0% light pollution (@0°)
Thanks to its new asymmetric light distribution system, without any spill light or obtrusive light, the night sky remains dark. And nature and residents are undisturbed.



A New Power of Professional Light



The 1800W D4i/DMX-RDM power supply breaks free from traditional dimming limitations. It's perfect for various uses, lets you easily switch between two dimming modes, and simplifies SKU management.

It can handle strobe functions at speeds up to 33 fps, alternating between full brightness and complete darkness, no afterglow after shut-down.

A New Form of Green Light

Artificial light can be truly annoying. It can throw both us and nature off balance - The ISF floodlighting offers particularly animals and insects friendly light with 2700K~3000K options to reduce impact on the environment and the entire downstream food chain.



Environmental Protection Matters



The process of manufacturing and disposing of the product must be taken into consideration. That's why we optimize energy usage and employ a clever modular concept in manufacturing our FSC product, as well as using plastic-free packaging. This is how we define eco-friendly products.



> Referential Simulation Result

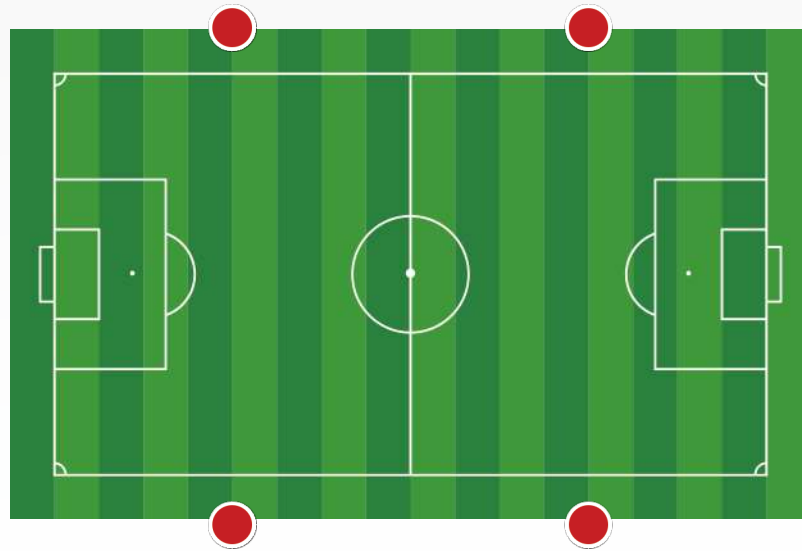
No matter whether you need 4-or 6-mast units - AOK-ISF 1800W can cover all established geometries. It also meets all current regulatory standards as well as professional requirements.

Putting the floodlight ISF 1800W to the test

Sport field: 105x68m

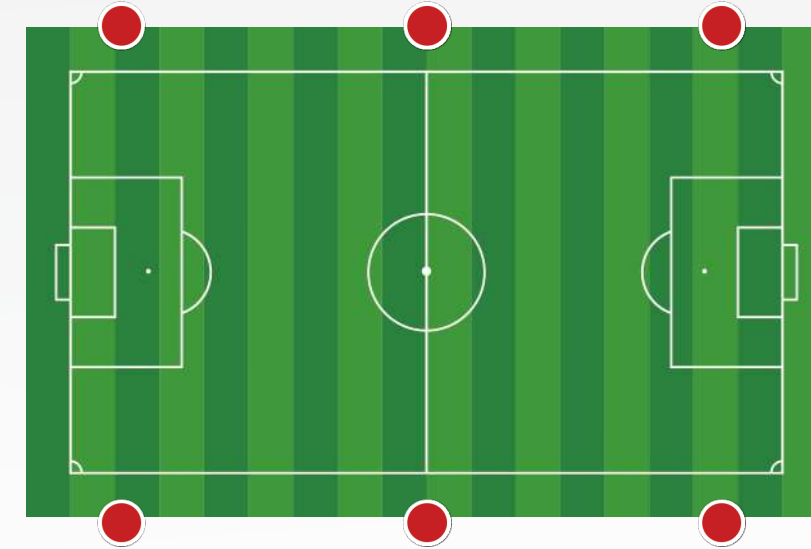
4-mast system

4 masts	ISF 1800W	
	Lighting class II	Lighting class III
Number of luminaires per mast	3PCS	1PCS
Horizontal illuminance E_m	204 lx	78 lx
Uniformity U_0 g1	0.61	0.51
Total number of luminaires per field	12PCS	4PCS



6-mast system

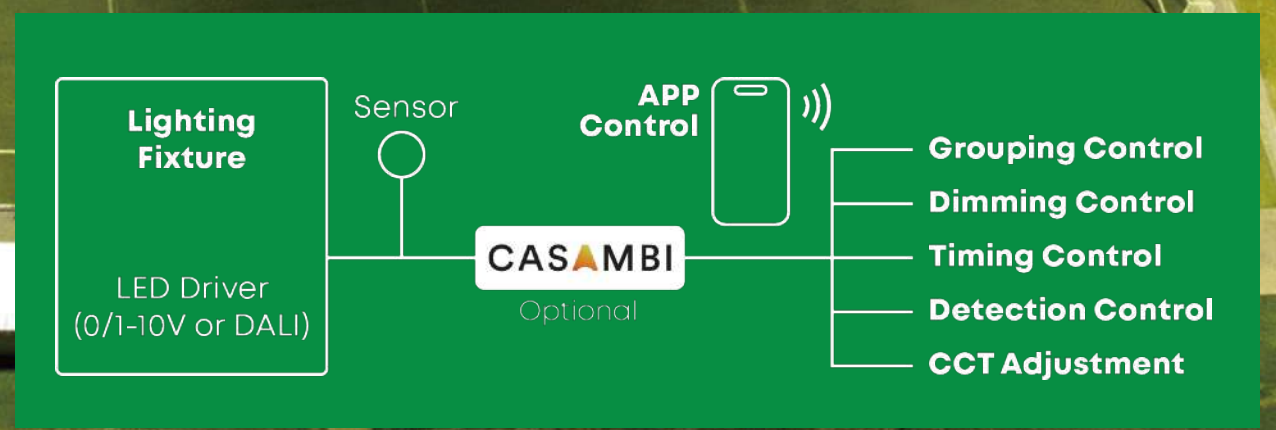
4 corner masts and 2 center masts	ISF 1800W	
	Lighting class II	Lighting class III
Number of luminaires per corner mast	2PCS	1PCS
Number of luminaires per center mast	2PCS	1PCS
Horizontal illuminance E_m	206 lx	106 lx
Uniformity U_0 g1	0.70	0.70
Total number of luminaires per field	12PCS	6PCS



Illumination standards and professional requirement	ClassI	ClassII	ClassIII
Horizontal illuminance E_{av} lx	500	200	75
Uniformity U_0 E_{min}/E_{av}	0.7	0.6	0.5
GR	55	55	55
Color rendering index R_2	70	60	60

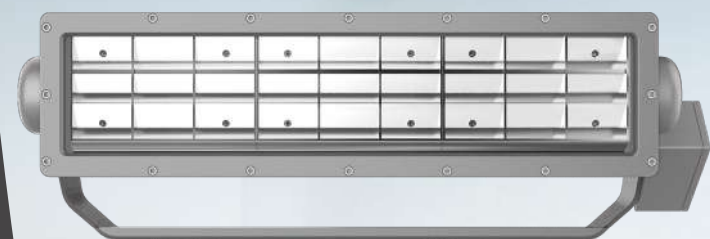
Note: The data above is only for reference and is customer-specific. It's not a final report. Please contact our technical team for tailored solutions.

> Application Reference



*Due to the constant improvements in product development, individual parameters might change. Please refer to our sales or R&D team for most up-to-date content as specifications are subject to change without notice.

> Application Reference



► Application Reference



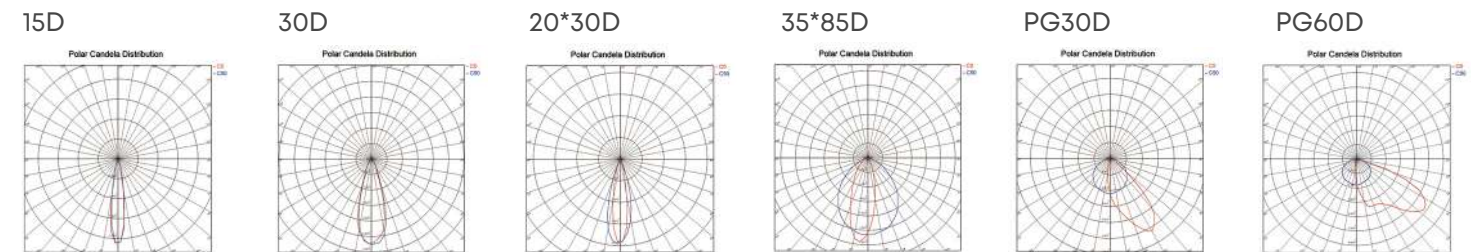
*Due to the constant improvements in product development, individual parameters might change. Please refer to our sales or R&D team for most up-to-date content as specifications are subject to change without notice.

Parameter Table

Electrical Data							
Model	AOK-400WISF	AOK-600WISF	AOK-800WISF	AOK-1200WISF	AOK-1500WISF	AOK-1800WISF	
Power(W)	400W	600W	800W	1200W	1500W	1800W	
Modules	1	1	2	2	3	3	
Input voltage	100-277V/277-480V, 50/60Hz				220-400V, 50/60Hz		
THD	<20%						
PF	>0.90						
Control Option	0-10V/PWM Timer dimming (Standard), DALI, DMX512 (Optional)				DALI, DMX512 (Standard)		
Ambient temperature	-40°C to 50°C	-40°C to 45°C	-40°C to 50°C	-40°C to 45°C	-40°C to 50°C	-40°C to 45°C	
Driver brand	Based on the actual project demand						
Surge protection	20kV available						
Photometric Data							
Efficacy (lm/W, Std. Dev. ±5%)@CCT=4000K, CRI>70Ra	15D	140lm/W	140lm/W	140lm/W	140lm/W	140lm/W	140lm/W
	35*85D	150lm/W	150lm/W	150lm/W	150lm/W	150lm/W	150lm/W
	20*30D	140lm/W	140lm/W	140lm/W	140lm/W	140lm/W	140lm/W
	30D	150lm/W	150lm/W	150lm/W	150lm/W	150lm/W	150lm/W
	PG30D	140lm/W	140lm/W	140lm/W	140lm/W	140lm/W	140lm/W
	PG60D	140lm/W	140lm/W	140lm/W	140lm/W	140lm/W	140lm/W
Luminous flux (lm, Std. Dev. ±5%)@CCT=4000K, CRI>70Ra	15D	56000lm	84000lm	112000lm	168000lm	210000lm	252000lm
	35*85D	60000lm	90000lm	120000lm	180000lm	225000lm	270000lm
	20*30D	56000lm	84000lm	112000lm	168000lm	210000lm	252000lm
	30D	60000lm	90000lm	120000lm	180000lm	225000lm	270000lm
	PG30D	56000lm	84000lm	112000lm	168000lm	210000lm	252000lm
	PG60D	56000lm	84000lm	112000lm	168000lm	210000lm	252000lm
Efficacy (lm/W, Std. Dev. ±5%)@CCT=4000K, CRI>70Ra, with visor	15D	125lm/W	125lm/W	125lm/W	125lm/W	125lm/W	125lm/W
	35*85D	135lm/W	135lm/W	135lm/W	135lm/W	135lm/W	135lm/W
	20*30D	125lm/W	125lm/W	125lm/W	125lm/W	125lm/W	125lm/W
	30D	135lm/W	135lm/W	135lm/W	135lm/W	135lm/W	135lm/W
	PG30D	/	/	/	/	/	/
	PG60D	/	/	/	/	/	/
Luminous flux (lm, Std. Dev. ±5%)@CCT=4000K, CRI>70Ra, with visor	15D	50000lm	75000lm	100000lm	150000lm	187500lm	225000lm
	35*85D	54000lm	81000lm	108000lm	162000lm	202500lm	243000lm
	20*30D	50000lm	75000lm	100000lm	150000lm	187500lm	225000lm
	30D	54000lm	81000lm	108000lm	162000lm	202500lm	243000lm
	PG30D	/	/	/	/	/	/
	PG60D	/	/	/	/	/	/
ULOR	= 0%, @ Luminaire inclination 0°						
CCT	2700K, 3000K, 4000K, 5000K, 5700K						
CRI	Ra70, Ra80, Ra90						
Beam angle	15D/20*30D/30D/35*85D/PG30D/PG60D						
Mechanical Data							
IP/IK	IP66/IK08, according to standard EN 60529 and EN 62262						
Vibration resistance	3G, conform to standard IEC 68-2-6.						
SCx (EPA)	Type-A	Top view: 0.11m ² (1.20ft ²) Front view: 0.06m ² (0.63ft ²)		Top view: 0.21m ² (2.31ft ²) Front view: 0.06m ² (0.63ft ²)		Top view: 0.32m ² (3.39ft ²) Front view: 0.06m ² (0.63ft ²)	
	Type-C	Top view: 0.07m ² (0.75ft ²) Front view: 0.1m ² (1.08ft ²)		Top view: 0.07m ² (0.75ft ²) Front view: 0.2m ² (2.19ft ²)		to be updated	
	Type-B	Top view: 0.1m ² (1.11ft ²) Front view: 0.13m ² (1.39ft ²)		Top view: 0.11m ² (1.20ft ²) Front view: 0.23m ² (2.45ft ²)		Top view: 0.12m ² (1.26ft ²) Front view: 0.32m ² (3.44ft ²)	
	Type-Bx (Driver fixed)	Top view: 0.18m ² (1.98ft ²) Front view: 0.14m ² (1.50ft ²)		Top view: 0.2m ² (2.14ft ²) Front view: 0.23m ² (2.45ft ²)		Top view: 0.24m ² (2.55ft ²) Front view: 0.32m ² (3.44ft ²)	
Housing/Materials	Heavy-duty die-cast aluminum (EN AC-46100)						
Surface treatment	Anti-UV thermosetting polyester/80 micron epoxy primer + Anti-UV thermosetting polyester (for extremely corrosive environments).						
Painting	Black, Silver Grey, Customized Color						
Cable	Pre-wired with a 30 cm cable (Other lengths on request)						
Mounting	TYPE-A (Top-fixed I) , TYPE-B (Yoke Mount) , TYPE-Bx (Driver fixed) , TYPE-C (Top-fixed II)						
LED							
LED Manufacturer	Seoul (CREE/LUMILEDS Optional)						
LED model	Seoul S5050/Seoul Z5M4 3535						
Working current of single LED	15D(3535Z5M4)	75mA	76mA	75mA	74mA	78mA	77mA
	35*85D(5050)	37mA	38mA	37mA	37mA	38mA	38mA
	20*30D(3535Z5M4)	75mA	76mA	75mA	74mA	78mA	77mA
	30D(5050)	37mA	38mA	37mA	37mA	38mA	38mA
	PG30D(5050)	35mA	35mA	35mA	35mA	36mA	35mA
PG60D(5050)	35mA	35mA	35mA	35mA	36mA	35mA	
Lens	Polycarbonate + Tempered Glass (±5 mm thick)						

Electrical Data							
Model	AOK-400WISF	AOK-600WISF	AOK-800WISF	AOK-1200WISF	AOK-1500WISF	AOK-1800WISF	
Other Data							
Lifespan	L90B10 > 10000hrs, @Ta 25°C						
Warranty	5 years in standard, 10 years optional						
Certification	ROHS/CE/CB/ENEC For other certificates please request						
Product size	Type-A	L599.2*W391.5*H155mm/23.6*15.4*6.1 inches	L607.2*W561.4*H155mm/23.9*22.1*6.1 inches	L607.2*W731.4*H155mm/23.9*28.8*6.1 inches			
	Type-C	L599.2*W365.2*H165mm/23.6*14.4*6.5 inches	L607.2*W397.9*H335.0mm/23.9*15.7*13.2 inches				
	Type-B	L704.3*W281.0*H242.5mm/27.7*11.1*9.5 inches	L704.7*W355.5*H368.7mm/27.7*13.2*14.5 inches	L674.9*W417.9*H523.8mm/26.6*16.5*20.6 inches			
	Type-Bx (Driver fixed)	L666.7*W491.2*H242.5mm/26.2*19.3*9.5 inches	L704.7*W561.8*H368.7mm/27.7*22.1*14.5 inches	L674.9*W634.9*H523.8mm/26.6*25.0*20.6 inches			
Net weight	Type-A	13.2kg (29.1 lbs) / 16.3kg (35.9 lbs)-Driver included	22.3kg (49.2 lbs) / 26.4kg (58.2 lbs)-Driver included	30.9kg (68.1 lbs) / 36.9kg (81.4 lbs)-Driver included			
	Type-C	11.1kg (24.5 lbs) / 14kg (30.9 lbs)-Driver included	20.7kg (45.6 lbs) / 24.6kg (54.2 lbs)-Driver included				
	Type-B	12.8kg (28.2 lbs) / 15.9kg (35.1 lbs)-Driver included	23.5kg (51.8 lbs) / 26.9kg (59.3 lbs)-Driver included	31.1kg (68.6 lbs) / 37.2kg (82.0 lbs)-Driver included			
	Type-Bx (Driver fixed)	21.1kg (46.5 lbs) -Driverbox included	32.5kg (71.7 lbs) -Driverbox included	41.4kg (91.3 lbs)			
Gross weight	Type-A	15.2kg (33.5 lbs) / 18.3kg (40.3 lbs) -Driver included	24.3kg (53.6 lbs) / 28.4kg (62.6 lbs)-Driver included	32.9kg (72.5 lbs) / 38.9kg (85.8 lbs)-Driver included			
	Type-C	13.1kg (28.9 lbs) / 16kg (35.3 lbs)-Driver included	22.7kg (50.0 lbs) / 26.6kg (58.6 lbs) -Driver included				
	Type-B	14.8kg (32.6 lbs) / 17.9kg (39.4 lbs) -Driver included	26kg (57.3 lbs) / 29.4kg (64.8 lbs)-Driver included	33.1kg (73.0 lbs) / 39.2kg (86.4 lbs)-Driver included			
	Type-Bx (Driver fixed)	23.1kg (50.9 lbs) -Driverbox included	35kg (77.2 lbs) -Driverbox included	43.4kg (95.7 lbs)			
Carton size	Type-A	L660*W525*H190mm/25.98*20.67*7.48 inches	L690*W690*H190mm/27.17*27.17*7.48 inches	L960*W690*H200mm/37.80*27.17*7.87 inches			
	Type-C	L660*W460*H215mm/25.98*18.11*8.46 inches	L685*W430*H240/26.97*16.93*9.45 inches				
	Type-B	L720*W610*H195mm/28.35*24.02*7.68 inches	L775*W775*H195mm/30.51*30.51*7.68 inches	L920*W740*H200mm/36.22*29.13*7.87 inches			
	Type-Bx (Driver fixed)						
Application field	Suitable for stadium, sports field, port, railway station						
Important note!	The provided information is solely for reference; the official measurement report holds higher authority.						

Photometrics



Ordering Information

AOK-	WATTS	VOLTAGE	LED CHIPS	TYPE OF SENSOR	CCT&CRI	DISTRIBUTION	MOUNT	COLOR
400WISF	NV1=100-277V	S5=Seoul 5050	00=Without Sensor	2770=2700K 70CRI	15=15D	TY PE-A=Top-fixed I	SG=Silver gray	
600WISF	HV1=277-480V	S35=Seoul 3535	PH=Photocell	3070=3000K 70CRI	3585=35*85D	TY PE-B=Yoke mount	BK=Black	
800WISF	HV2=220-400V		DV=Dimmable	4070=4000K 70CRI	2030=20*30D	TY PE-Bx=Driver fixed	Custom request	
1200WISF				5070=5000K 70CRI	30=30D	TY PE-C=Top-fixed II		
1500WISF				5770=5700K 70CRI	PG30=PG30D			
1800WISF				2780=2700K 80CRI	PG60=PG60D			
				3080=3000K 80CRI				
				4080=4000K 80CRI				
				5080=5000K 80CRI				
				5780=5700K 80CRI				

*HV2 is for 1500W-1800W. The above voltage input is the standard default parameter for certificate. Due to different standards in different countries, please confirm the actual local demand first. The power supply of the product can be customized flexibly.

Type A Bracket No.: Module*1: 1000-00398; Module*2: 1000-00399; Module*3: Pls inquire; Type B Bracket No.: Module*1: 1000-00397; Module*2: 1000-00400; Module*3: 1000-00401;

ISF Series Specification Sheet

*Due to the constant improvements in product development, individual parameters might change. Please refer to our sales or R&D team for most up-to-date content as specifications are subject to change without notice.

wally@ookledlight.com
+1 626-986-4050 (US)
+86 755 2357 9148 (CN)

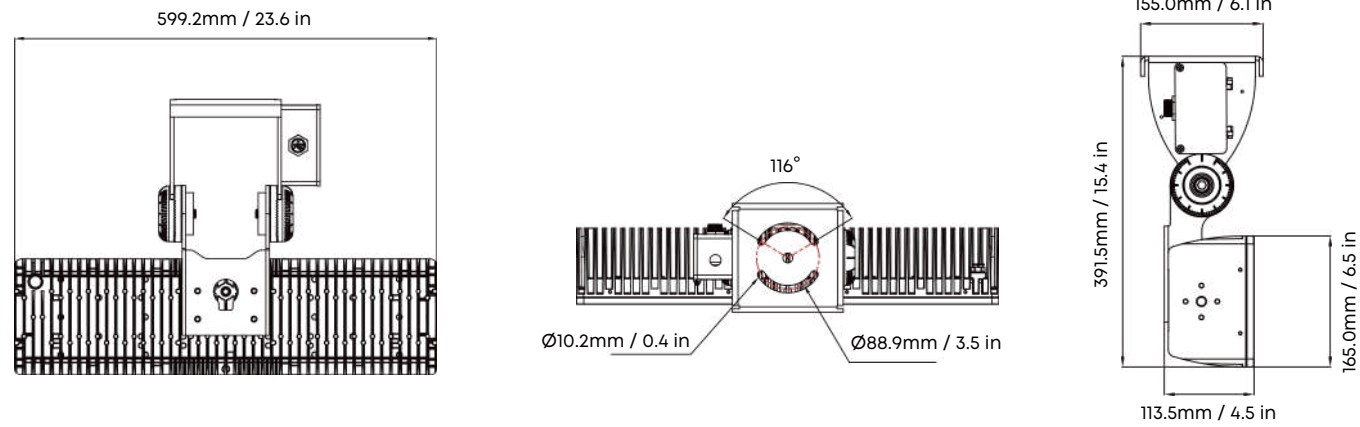
©2023 AOK LED LIGHT CO., LTD. All Right Reserved.



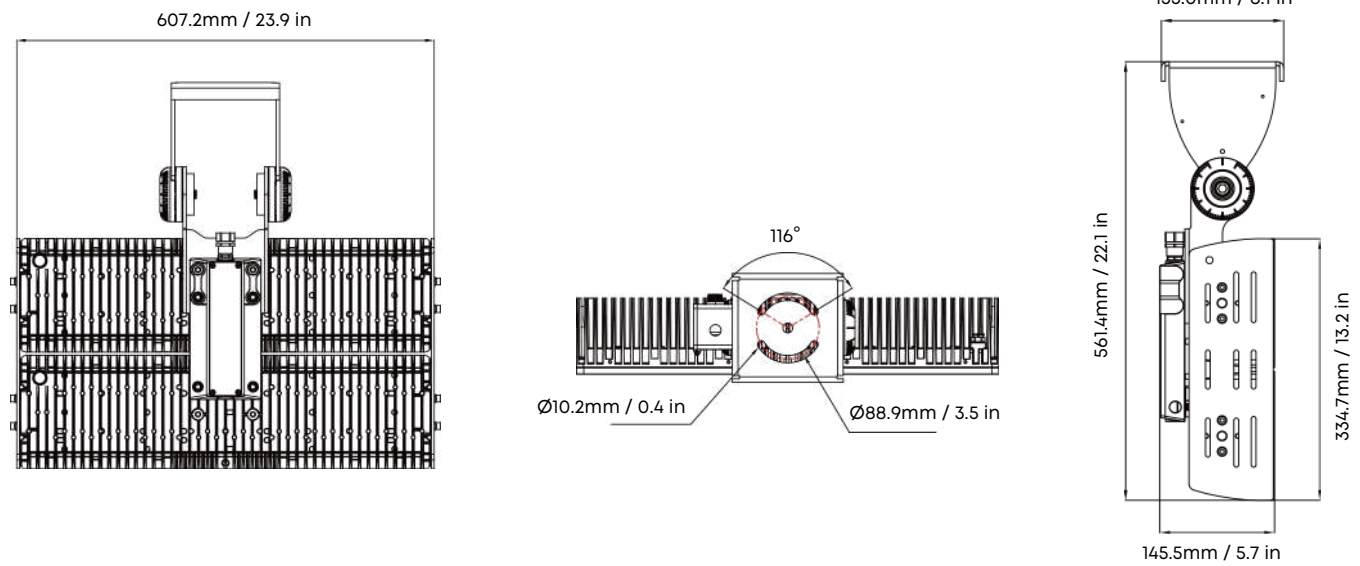
Dimension

TYPE-A: Top Fixed Installation

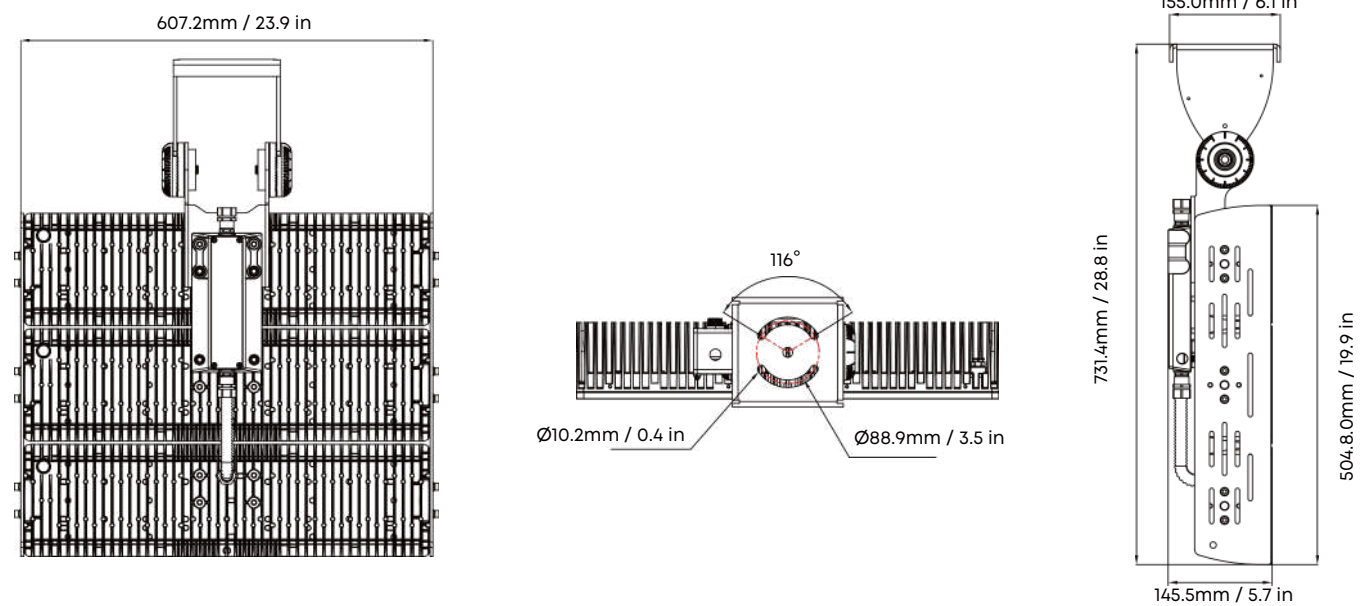
SCx (EPA)@25°:Top view: 0.11m² (1.20ft²) Front view: 0.06m² (0.63ft²)



SCx (EPA)@25°:Top view: 0.21m² (2.31ft²) Front view: 0.06m² (0.63ft²)

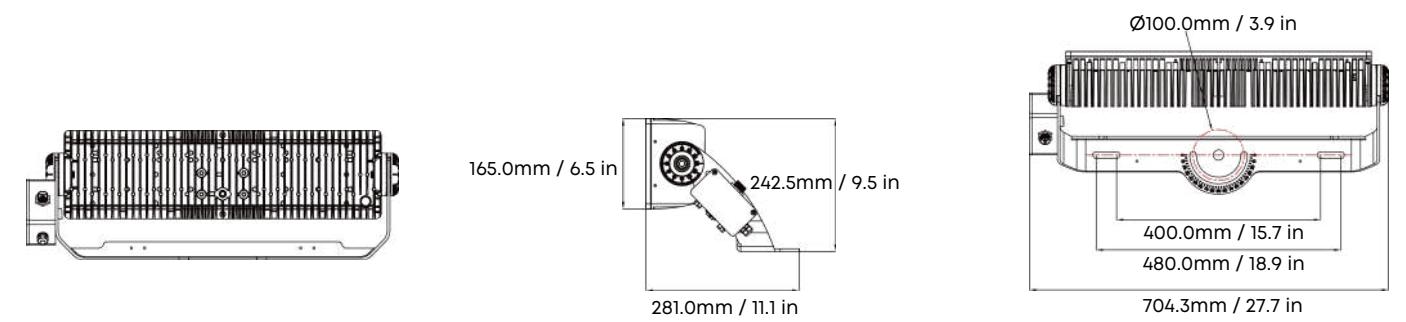


SCx (EPA)@25°:Top view: 0.32m² (3.39ft²) Front view: 0.06m² (0.63ft²)

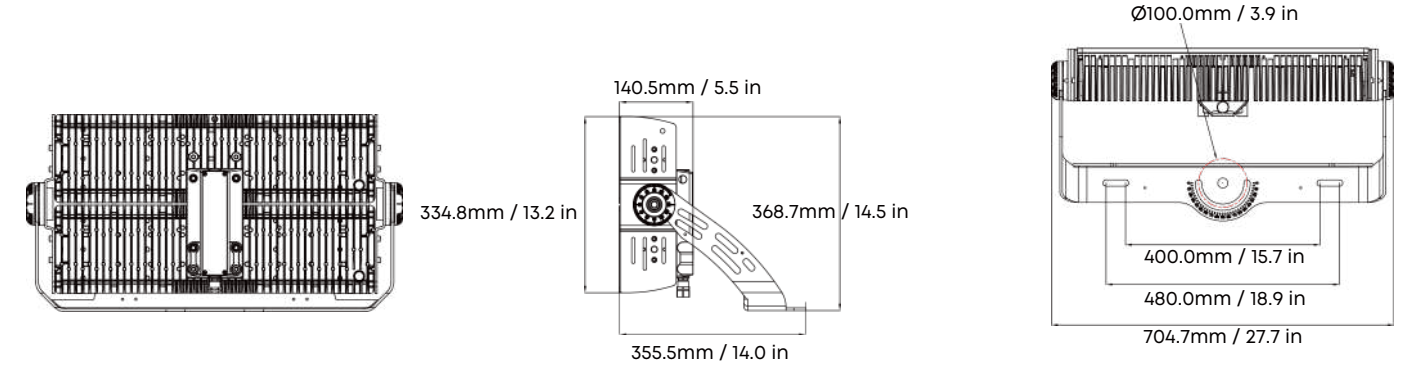


TYPE-B: Yoke Mount

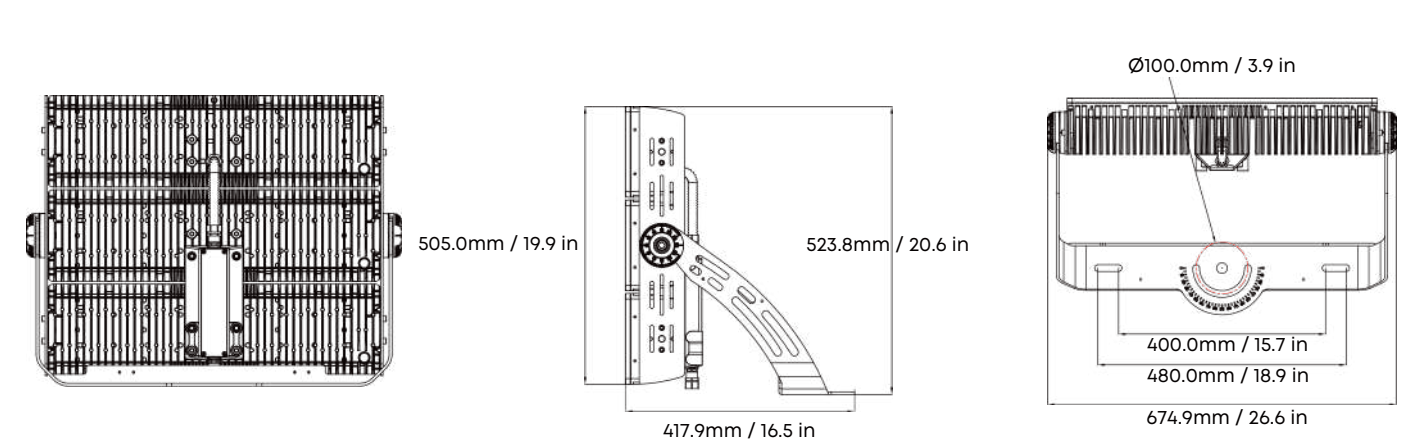
EPA(@25°):Top view: 0.1m² (1.11ft²) Front view: 0.13m² (1.39ft²)



EPA(@25°):Top view: 0.11m² (1.23ft²) Front view: 0.23m² (2.45ft²)



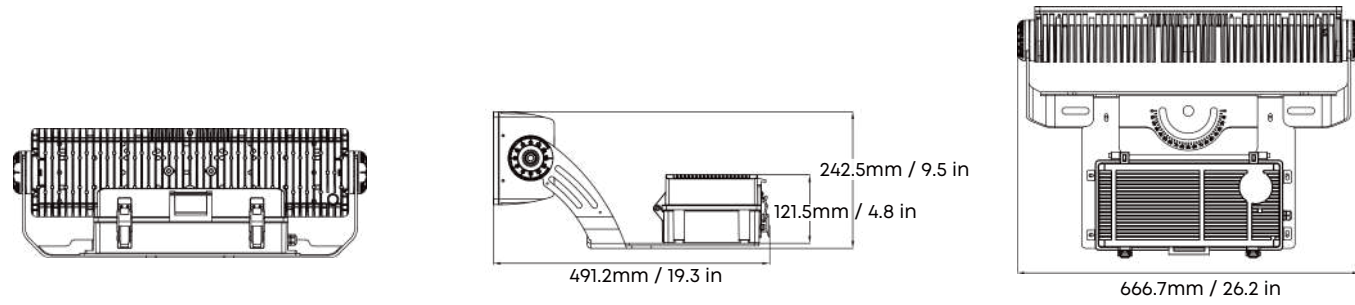
EPA(@25°):Top view: 0.12m² (1.26ft²) Front view: 0.32m² (3.44ft²)



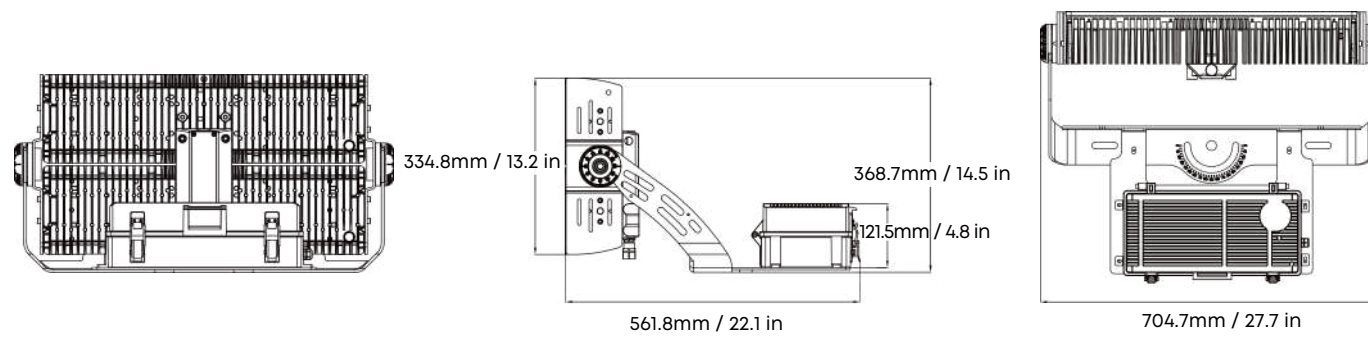
Dimension

TYPE-B: Yoke Mount (With Driver)

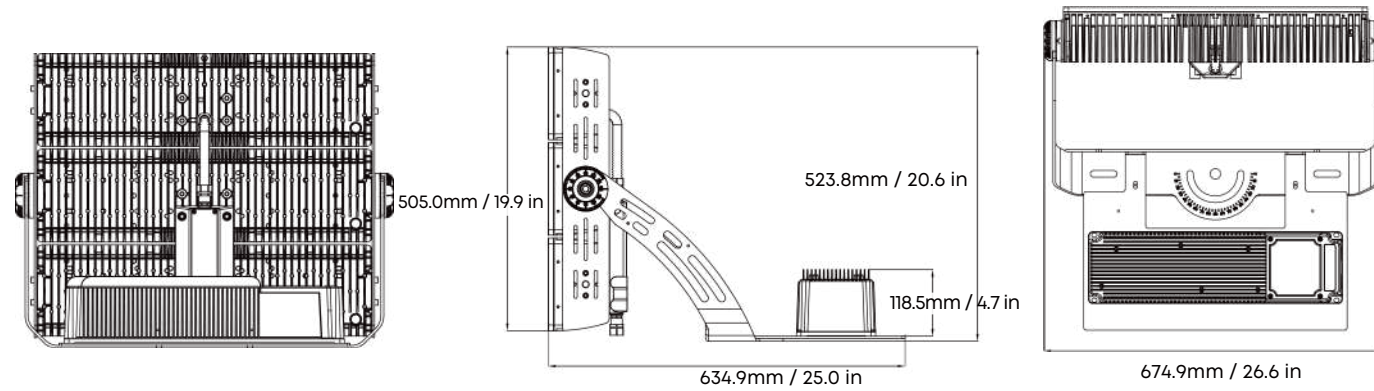
EPA(@25°):Top view: 0.18m² (1.98ft²) Front view: 0.14m² (1.50ft²)



EPA(@25°):Top view: 0.2m² (2.14ft²) Front view: 0.23m² (2.45ft²)

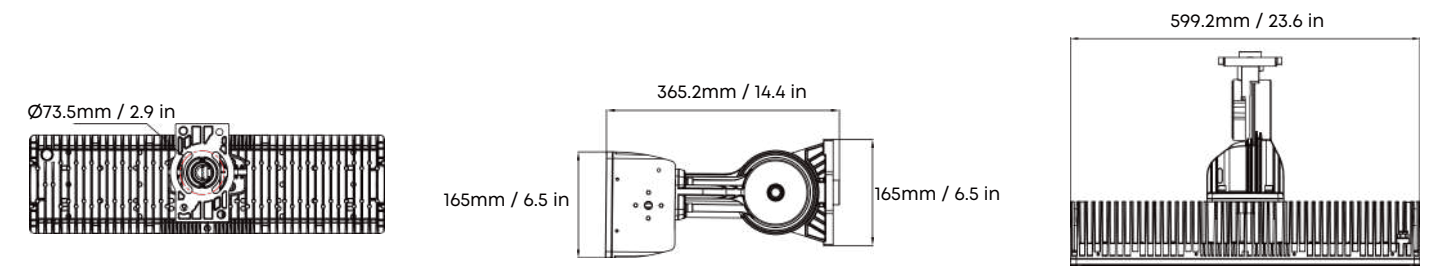


EPA(@25°):Top view: 0.24m² (2.55ft²) Front view: 0.32m² (3.44ft²)

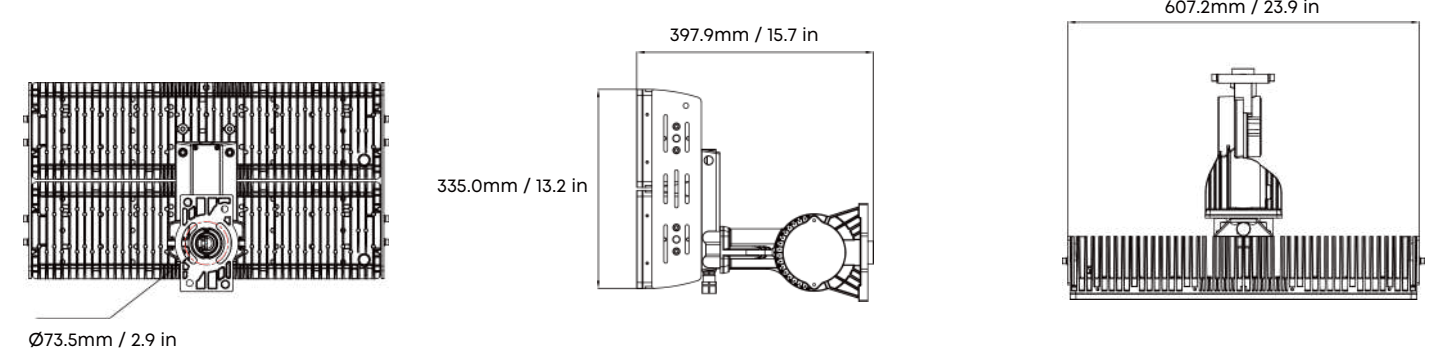


TYPE-C: Top-fixed II

EPA(@25°):Top view: 0.07m² (0.75ft²) Front view: 0.1m² (1.08ft²)



EPA(@25°):Top view: 0.07m² (0.75ft²) Front view: 0.2m² (2.19ft²)





Illuminate Your Future



5 Year Limited Warranty,
10 Year Preferred Warranty.
Please consult with our sales for detailed agreement.

Wally@aokledlight.com
www.aokledlight.com
+1 626-986-4050 (US)
+86 755 2357 9148 (CN)

Manufacturing: Building 1 & 4, St. George's Science and Technology Industrial Park,
Shajing Street, Shenzhen, China, 518124.
Fuzhou HQ: Room 301, Yujing Business Center Zone 1, No. 12 Baihuazhou road, Cang-
shan district, Fuzhou, China, 350007
NorthAmerica HQ: 18541 E Gale Ave, City of Industry, CA91748 USA

Copyright ©2023 AOK LED LIGHT CO., LTD. All Right Reserved.