



ILA LED STREET LIGHT
POWER: 20W-150W

HIGH LUMEN OUTPUT
UP TO 24,000LM (150W)

100+ Patent Certificates
\$1,000,000+ Annual Energy Saving
10,000+ Projects Successfully Installed



Better Performance
Starts From Better Lighting
www.aokledlight.com

> Features of ILA Series

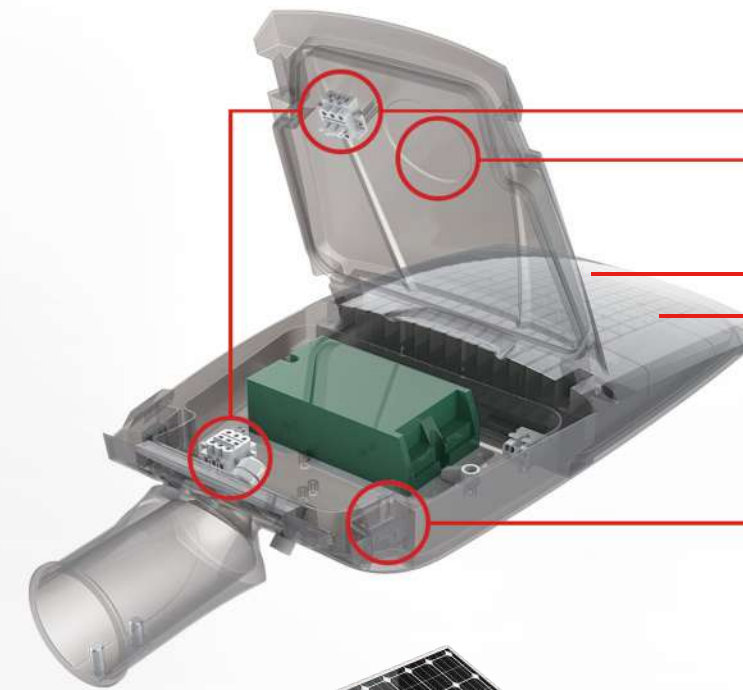
- Power range: from 20W to 150W, Class I or ClassII.
- System efficiency up to 160lm/W, high lumen output, precise light pattern ensures more energy saved.
- Premium optical-grade Mitsubishi polycarbonate lens delivers a high optical efficiency and has superior resistance to age-related deterioration or environmental threats such as heat, cold, sunlight or moisture.
- Micro-lens systems IESNA Type II, Type III, Type IV distributions.
- Excellent uniformity and low glare provide maximum comfort and environmental friendliness.
- Optical systems maintain an IP66 rating, with tempered glass cover (≈5mm).
- Available in 2700K, 3000K, 4000K, 5000K, 5700K, 6500K CCT.
- ULOR =0%, no up-light pollution.
- CRI of 70 Ra, 80 Ra, and 90 Ra optional.
- Anti-UV thermosetting polyester finish. Rugged, weather-tight design and 3G Vibration ratings ensure durability even in harsh environments.

UP TO 160 lm/W	L70 >100000hrs @ 25°C	Working Temperature Environment -40°C~55°C (-40°F ~ 131°F)	100-277V 50/60HZ	THD ≤10%
ULR =0	• 2700K • 3000K • 4000K • 5000K • 5700K • 6500K	CRI 70/80/90	IP66 IK08	3G VIBRATION TESTING
SAFETY PROTECTION AUTO CUT-OFF	DIM	DALI CONTROL	TOOL FREE MAINTENANCE	

KEY ADVANTAGES



Side Entry/Post Top mounting options, adjustable angle: lateral ±15 ° , Installation on metallic pole Φ60mm with tilting capability up to 20 degree.



Automatic cut-off of power supply when the cover is opened.

Hole reserved for sensors installation.

Honeycomb heatsink design.

Smoothy self-clean housing dust-proof.

Tool-free entrance and installation of driver and components. Easy replacement and maintenance.

Support solar power optional configuration, please consult for details.

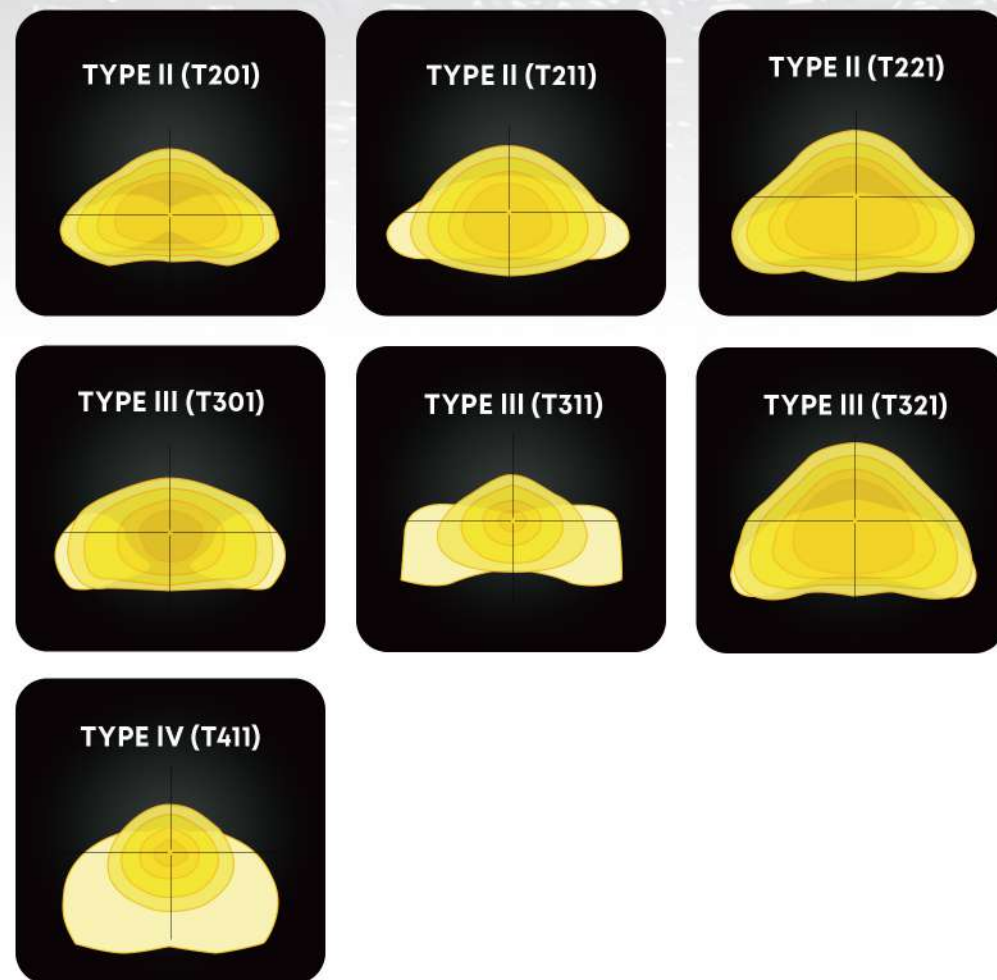


> Photometric Design

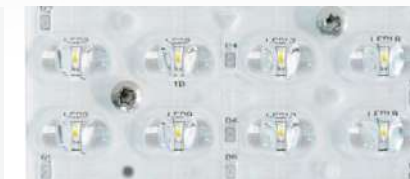
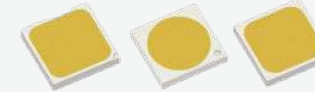
- Premium optical-grade Mitsubishi polycarbonate lens delivers a high optical efficiency and has superior resistance to age-related deterioration or environmental threats such as heat, cold, sunlight or moisture.
- The flux is directed precisely towards the area to be illuminated thanks to the high-level performance of optical system.
- Possibility of lighting management (control, automatic lowering of intensity etc.).
- Excellent uniformity and low glare provide maximum comfort and environmental friendliness.

Distribution Type

Asymmetric, Type II can be used in long and narrow aisles/lanes/sidewalks.



LED Light Source



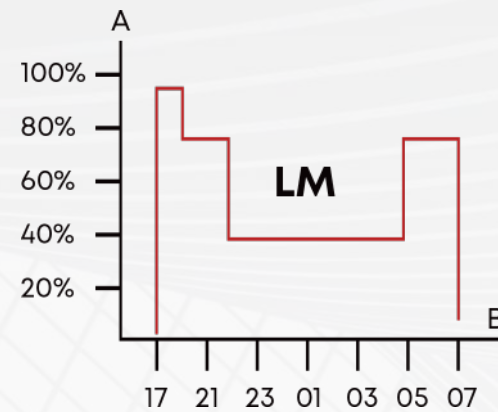
- The light engine takes advantage of the latest generation of mid-power LEDs and dedicated optics for professional applications.
- Philips Lumileds(3030/5050) or Seoul LED chips(3030/5050) provide lighting solutions from high-level special lights to very cost-effective but excellent quality luminaires.

> Control Systems

Custom Dimming Profile

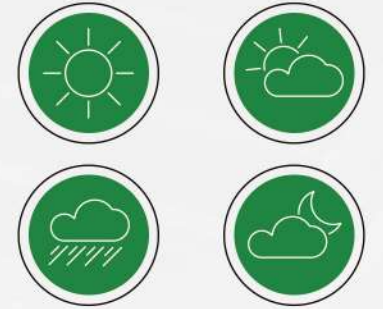
Intelligent luminaire drivers can be programmed with complex dimming profiles. With customized combinations of time intervals and light levels are possible. This feature does not require any extra wiring.

The period between switching on and switching off is used to activate the preset dimming profile. The customised dimming system generates maximum energy savings while respecting the required lighting levels and uniformity throughout the night.



Daylight Sensor / Photocell

Photocell or daylight sensors switch the luminaire on as soon natural light falls to a certain level. It can be programmed to switch on during a storm, on a cloudy day (in critical areas) or only at nightfall so as to provide safety and comfort in public spaces.



Smart standards. Smarter lighting.

LoRaWAN® Luminaire Controller Zhaga

It is an easily installable wireless device for remote control of the LED luminaires. Device is equipped with Zhaga compliant connector and controls the luminaire through DALI interface. Controller is available now for LoRaWAN®, NB-IoT and LTE-M network. Modern and small design makes it excellent fit to various street lighting modules.

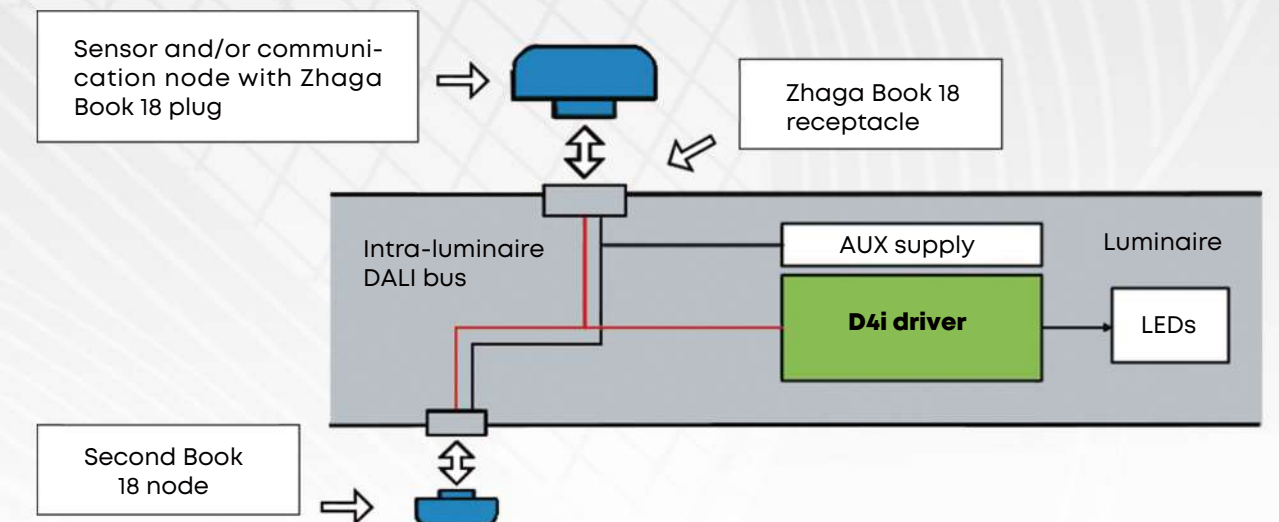
LoRaWAN® Luminaire Controller NEMA

LoRaWAN® Luminaire Controller NEMA is a remote control device for LED luminaires equipped with ANSI C136.41 NEMA receptacle. The luminaire is controlled through DALI or 0..10V analog control interfaces, while providing a reliable power interconnect with three robust twist lock contacts.

ILA is connected-ready and can operate with various sensors and control systems.



Outdoor luminaire with Zhaga receptacles (optional)



➤ Application Reference

- Road & highway lighting
- Urban road & street lighting
- Residential area lighting
- Parks & perimeter lighting
- Parking lot lighting
- Riverside & jogging track



Parameter Table

Electrical Specifications						
Model	AOK-ILA20	AOK-ILA30	AOK-ILA40	AOK-ILA50	AOK-ILA60	
Power(W)	20W	30W	40W	50W	60W	
Input voltage	100-277Vac, 50/60Hz					
THD(220Vac)	≤10%					
PF(220Vac)	≥0.95	≥0.95	≥0.95	≥0.95	≥0.95	
Driver brand	Inventronics / Sosen / Philips, Class 1/OSRAM Class 2, EU					
Ambient temperature	-40°C to 55°C (-40 °F to 131 °F)					
Storage temperature	-40°C to 80°C (-40 °F to 176 °F)					
Control Option	DALI, 0-10V/ PWM / timer dimming, Nema, Presence detection sensor. Dim-to-Off with standby power ≤ 0.5W.					
Surge Protection	10kV / 20kV optional					
Photometric Specifications						
Efficacy(lm/W) (CRI 70Ra, 5000K) (Std Dev ±5%)	T201-12in1-Normal brightness LED	150lm/W	141lm/W	150lm/W	145lm/W	141lm/W
	T211-12in1-Normal brightness LED	150lm/W	141lm/W	150lm/W	145lm/W	141lm/W
	T301-12in1-Normal brightness LED	145lm/W	136lm/W	145lm/W	140lm/W	136lm/W
	T311-12in1-Normal brightness LED	150lm/W	141lm/W	150lm/W	145lm/W	141lm/W
	T411-12in1-Normal brightness LED	150lm/W	141lm/W	150lm/W	145lm/W	141lm/W
	T221-16in1-Normal brightness LED	154lm/W	148lm/W	154lm/W	151lm/W	148lm/W
	T321-16in1-Normal brightness LED	154lm/W	148lm/W	154lm/W	151lm/W	148lm/W
	T231-24in1-Normal brightness LED	156lm/W	152lm/W	156lm/W	154lm/W	152lm/W
	T331-24in1-Normal brightness LED	156lm/W	152lm/W	156lm/W	154lm/W	152lm/W
	T401-24in1-Normal brightness LED	156lm/W	152lm/W	156lm/W	154lm/W	152lm/W
	T231-24in1-High brightness LED	162lm/W	158lm/W	162lm/W	160lm/W	158lm/W
	T331-24in1-High brightness LED	162lm/W	158lm/W	162lm/W	160lm/W	158lm/W
	T401-24in1-High brightness LED	162lm/W	158lm/W	162lm/W	160lm/W	158lm/W
	Luminous flux (lm) (CRI 70Ra, 5000K) (Std Dev ±5%)	T201-12in1-Normal brightness LED	3000lm	4230lm	6000lm	7250lm
T211-12in1-Normal brightness LED		3000lm	4230lm	6000lm	7250lm	8460lm
T301-12in1-Normal brightness LED		2900lm	4080lm	5800lm	7000lm	8160lm
T311-12in1-Normal brightness LED		3000lm	4230lm	6000lm	7250lm	8460lm
T411-12in1-Normal brightness LED		3000lm	4230lm	6000lm	7250lm	8460lm
T221-16in1-Normal brightness LED		3080lm	4440lm	6160lm	7550lm	8880lm
T321-16in1-Normal brightness LED		3080lm	4440lm	6160lm	7550lm	8880lm
T231-24in1-Normal brightness LED		3120lm	4560lm	6240lm	7700lm	9120lm
T331-24in1-Normal brightness LED		3120lm	4560lm	6240lm	7700lm	9120lm
T401-24in1-Normal brightness LED		3120lm	4560lm	6240lm	7700lm	9120lm
T231-24in1-High brightness LED		3240lm	4740lm	6480lm	8000lm	9480lm
T331-24in1-High brightness LED		3240lm	4740lm	6480lm	8000lm	9480lm
T401-24in1-High brightness LED		3240lm	4740lm	6480lm	8000lm	9480lm
ULOR		= 0%, @ Luminaire inclination 0°				
CCT	2700K, 3000K, 4000K, 5000K, 5700K, 6500K					
CRI	70Ra, 80Ra, 90Ra					
Beam angle	Type II/Type III/Type IV					
Mechanical Specifications						
IP/IK	IP66/IK09, according to standard EN 60529 and EN 62262					
Vibration resistance	3G, conform to standard IEC 68-2-6.					
SCx(EPA)	Top:0.0914m², Side:0.029m²					
Materials	Heavy-duty die-cast aluminum (ADC12)					
Surface treatment	Anti-UV thermosetting polyester / 80 micron epoxy primer + Anti-UV thermosetting polyester (for extremely corrosive environments).					
Painting	RAL 9005 Black, RAL 9006 Silver, RAL 7037gray, Customized color					
Cable	Pre-wired with a 50 cm cable (Other lengths on request)					
Mounting	Post Top/Side Entry					
LED						
LED Manufacturer	LUMLEDS, Seoul					
LED model	Lumileds 3030, 5050/Seou3030, 5050					
Lens	Polycarbonate+tempered glass(4 mm thick)					
Others						
Lifespan	L70 > 100000hrs, @Ta 25°C					
Warranty	5 years in standard, 10 years optional					
Certification	CE, RoHS, For other certificates please request					
Product Size	537*210*88mm / 21.14*8.27*3.46 inches					
Net Weight	3.4kg / 7.50 lbs					
Carton size	590*255*145mm / 23.23*10.04*5.71 inches					
Gross weight	4.3kg / 9.48 lbs					
Recommend installation height	General 4-12m, based on actual project requirements					
Application field	Road & highway, urban road & street, residential area, parks, parking lot, riverside & jogging track					
Standard Accessories	Standard SPD 10kV (EU)					
Optional Accessories	Support rod, circuit breaker, SPD 20kV, respirator, Nema photoelectric control socket, photoelectric controller, Zhaga socket, PIR sensor, microwave sensor.					
Important note!	The provided information is solely for reference; the official measurement report holds higher authority.					

Electrical Specifications					
Model	AOK-ILA70	AOK-ILA80	AOK-ILA90	AOK-ILA100	
Power(W)	70W	80W	90W	100W	
Input voltage	100-277Vac, 50/60Hz				
THD(220Vac)	≤10%				
PF(220Vac)	≥0.95	≥0.95	≥0.95	≥0.95	
Driver brand	Inventronics / Sosen / Philips, Class 1/OSRAM Class 2, EU				
Ambient temperature	-40°C to 50°C (-40 °F to 122 °F)				
Storage temperature	-40°C to 80°C (-40 °F to 176 °F)				
Control Option	DALI, 0-10V/ PWM / timer dimming, Nema, Presence detection sensor. Dim-to-Off with standby power ≤ 0.5W.				
Surge Protection	10kV / 20kV optional				
Photometric Specifications					
Efficacy(lm/W) (CRI 70Ra, 5000K) (Std Dev ±5%)	T201-12in1-Normal brightness LED	147lm/W	144lm/W	141lm/W	135lm/W
	T211-12in1-Normal brightness LED	147lm/W	144lm/W	141lm/W	135lm/W
	T301-12in1-Normal brightness LED	142lm/W	139lm/W	136lm/W	130lm/W
	T311-12in1-Normal brightness LED	147lm/W	144lm/W	141lm/W	135lm/W
	T411-12in1-Normal brightness LED	147lm/W	144lm/W	141lm/W	135lm/W
	T221-16in1-Normal brightness LED	154lm/W	151lm/W	148lm/W	145lm/W
	T321-16in1-Normal brightness LED	154lm/W	151lm/W	148lm/W	145lm/W
	T231-24in1-Normal brightness LED	158lm/W	156lm/W	154lm/W	152lm/W
	T331-24in1-Normal brightness LED	158lm/W	156lm/W	154lm/W	152lm/W
	T401-24in1-Normal brightness LED	158lm/W	156lm/W	154lm/W	152lm/W
	T231-24in1-High brightness LED	164lm/W	162lm/W	160lm/W	158lm/W
	T331-24in1-High brightness LED	164lm/W	162lm/W	160lm/W	158lm/W
	T401-24in1-High brightness LED	164lm/W	162lm/W	160lm/W	158lm/W
	Luminous flux (lm) (CRI 70Ra, 5000K) (Std Dev ±5%)	T201-12in1-Normal brightness LED	10290lm	11520lm	12690lm
T211-12in1-Normal brightness LED		10290lm	11520lm	12690lm	13500lm
T301-12in1-Normal brightness LED		9940lm	11120lm	12240lm	13000lm
T311-12in1-Normal brightness LED		10290lm	11520lm	12690lm	13500lm
T411-12in1-Normal brightness LED		10290lm	11520lm	12690lm	13500lm
T221-16in1-Normal brightness LED		10780lm	12080lm	13320lm	14500lm
T321-16in1-Normal brightness LED		10780lm	12080lm	13320lm	14500lm
T231-24in1-Normal brightness LED		11060lm	12480lm	13860lm	15200lm
T331-24in1-Normal brightness LED		11060lm	12480lm	13860lm	15200lm
T401-24in1-Normal brightness LED		11060lm	12480lm	13860lm	15200lm
T231-24in1-High brightness LED		11480lm	12960lm	14400lm	15800lm
T331-24in1-High brightness LED		11480lm	12960lm	14400lm	15800lm
T401-24in1-High brightness LED		11480lm	12960lm	14400lm	15800lm
ULOR		= 0%, @ Luminaire inclination 0°			
CCT	2700K, 3000K, 4000K, 5000K, 5700K, 6500K				
CRI	70Ra, 80Ra, 90Ra				
Beam angle	Type II/Type III/Type IV				
Mechanical Specifications					
IP/IK	IP66/IK09, according to standard EN 60529 and EN 62262				
Vibration resistance	3G, conform to standard IEC 68-2-6.				
SCx(EPA)	Top:0.103m², Side:0.031m²				
Materials	Heavy-duty die-cast aluminum (ADC12)				
Surface treatment	Anti-UV thermosetting polyester / 80 micron epoxy primer + Anti-UV thermosetting polyester (for extremely corrosive environments).				
Painting	RAL 9005 Black, RAL 9006 Silver, RAL 7037gray, Customized color				
Cable	Pre-wired with a 50 cm cable (Other lengths on request)				
Mounting	Post Top/Side Entry				
LED					
LED Manufacturer	LUMLEDS, Seoul				
LED model	Lumileds 3030, 5050/Seou3030, 5050				
Lens	Polycarbonate+tempered glass(4 mm thick)				
Others					
Lifespan	L70 > 100000hrs, @Ta 25°C				
Warranty	5 years in standard, 10 years optional				
Certification	CE, RoHS, For other certificates please request				
Product Size	567*228*88mm / 22.32*8.98*3.46 inches				
Net Weight	4kg / 8.82 lbs				
Carton size	620*265*145mm / 24.41*10.43*5.71 inches				
Gross weight	5kg / 11.02 lbs				
Recommend installation height	General 4-12m, based on actual project requirements				
Application field	Road & highway, urban road & street, residential area, parks, parking lot, riverside & jogging track				
Standard Accessories	Standard SPD 10kV (EU)				
Optional Accessories	Support rod, circuit breaker, SPD 20kV, respirator, Nema photoelectric control socket, photoelectric controller, Zhaga socket, PIR sensor, microwave sensor.				
Important note!	The provided information is solely for reference; the official measurement report holds higher authority.				

ILA Series Specification Sheet

*Due to the constant improvements in product development, individual parameters might change. Please refer to our sales or R&D team for most up-to-date content as specifications are subject to change without notice.

wally@oakledlight.com
+1 626-986-4050 (US)
+86 755 2357 9148 (CN)

©2023 AOK LED LIGHT CO., LTD. All Right Reserved.



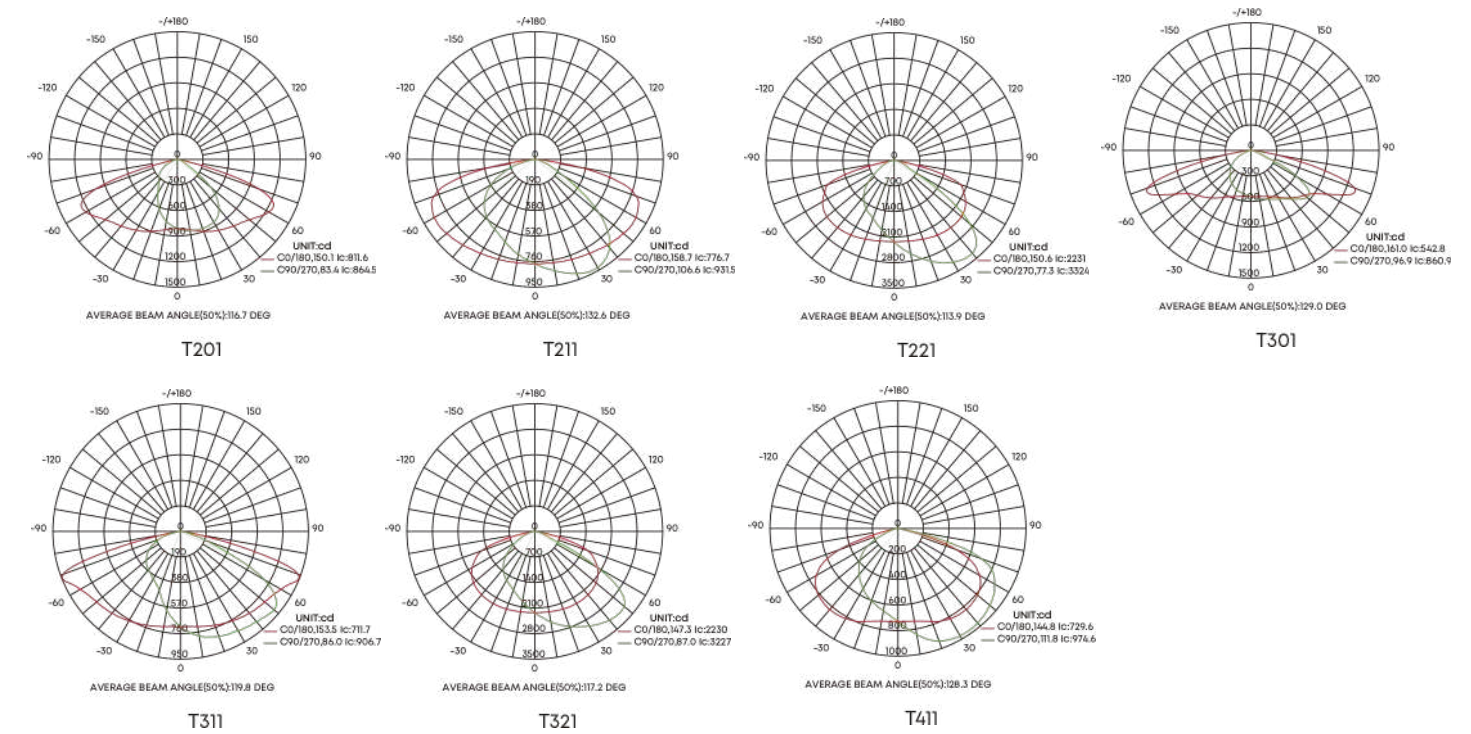
Parameter Table

Electrical Specifications					
Model	AOK-ILA120	AOK-ILA130	AOK-ILA140	AOK-ILA150	
Power(W)	120W	130W	140W	150W	
Input voltage	100-277Vac, 50/60Hz				
THD(220Vac)	≤10%				
PF(220Vac)	≥0.95	≥0.95	≥0.95	≥0.95	
Driver brand	Inventronics /Sosen				
Ambient temperature	-40°C to 50°C (-40 °F to 122 °F)				
Storage temperature	-40°C to 80°C (-40 °F to 176 °F)				
Control Option	Daylight Sensor Control, 1-10V Dimming, Dim-to-Off with standby power <= 0.5W. Auto cut-off protection.				
Surge Protection	10kV / 20kV optional				
Photometric Specifications					
Efficacy(lm/W) (CRI 70Ra, 5000K) (Std Dev ±5%)	T201-12in1-Normal brightness LED	146lm/W	143lm/W	142lm/W	141lm/W
	T211-12in1-Normal brightness LED	146lm/W	143lm/W	142lm/W	141lm/W
	T301-12in1-Normal brightness LED	141lm/W	138lm/W	137lm/W	136lm/W
	T311-12in1-Normal brightness LED	146lm/W	143lm/W	142lm/W	141lm/W
	T411-12in1-Normal brightness LED	146lm/W	143lm/W	142lm/W	141lm/W
	T221-16in1-Normal brightness LED	153lm/W	152lm/W	150lm/W	148lm/W
	T321-16in1-Normal brightness LED	153lm/W	152lm/W	150lm/W	148lm/W
	T231-24in1-Normal brightness LED	158lm/W	157lm/W	155lm/W	154lm/W
	T331-24in1-Normal brightness LED	158lm/W	157lm/W	155lm/W	154lm/W
	T401-24in1-Normal brightness LED	158lm/W	157lm/W	155lm/W	154lm/W
	T231-24in1-High brightness LED	164lm/W	163lm/W	161lm/W	160lm/W
	T331-24in1-High brightness LED	164lm/W	163lm/W	161lm/W	160lm/W
T401-24in1-High brightness LED	164lm/W	163lm/W	161lm/W	160lm/W	
Luminous flux (lm) (CRI 70Ra, 5000K) (Std Dev ±5%)	T201-12in1-Normal brightness LED	17520lm	18590lm	19880lm	21150lm
	T211-12in1-Normal brightness LED	17520lm	18590lm	19880lm	21150lm
	T301-12in1-Normal brightness LED	16920lm	17940lm	19180lm	20400lm
	T311-12in1-Normal brightness LED	17520lm	18590lm	19880lm	21150lm
	T411-12in1-Normal brightness LED	17520lm	18590lm	19880lm	21150lm
	T221-16in1-Normal brightness LED	18360lm	19760lm	21000lm	22200lm
	T321-16in1-Normal brightness LED	18360lm	19760lm	21000lm	22200lm
	T231-24in1-Normal brightness LED	18960lm	20410lm	21700lm	23100lm
	T331-24in1-Normal brightness LED	18960lm	20410lm	21700lm	23100lm
	T401-24in1-Normal brightness LED	18960lm	20410lm	21700lm	23100lm
	T231-24in1-High brightness LED	19680lm	21190lm	22540lm	24000lm
	T331-24in1-High brightness LED	19680lm	21190lm	22540lm	24000lm
T401-24in1-High brightness LED	19680lm	21190lm	22540lm	24000lm	
ULOR	= 0%, @ Luminaire inclination 0°				
CCT	2700K, 3000K, 4000K, 5000K, 5700K, 6500K				
CRI	70Ra, 80Ra, 90Ra				
Beam angle	Type II/Type III/Type IV				
Mechanical Specifications					
IP/K	IP66/K08, according to standard EN 60529 and EN 62262				
Vibration resistance	3G, conform to standard IEC 68-2-6.				
SCx (EPA)	Top:0.119m², Side:0.034m²				
Materials	Heavy-duty die-cast aluminum (ADC12)				
Surface treatment	Anti-UV thermosetting polyester / 80 micron epoxy primer + Anti-UV thermosetting polyester (for extremely corrosive environments).				
Painting	RAL 9005 Black, RAL 9006 Silver, RAL 7037gray, Customized color				
Cable	Pre-wired with a 50 cm cable (Other lengths on request)				
Mounting	Post Top/Side Entry				
LED					
LED Manufacturer	LUMILEDS, Seoul				
LED model	3030				
Lens	Polycarbonate, with tempered glass cover				
Others					
Lifespan	L70 > 100000hrs. @Ta 25°C				
Warranty	5 years in standard, 10 years optional				
Certification	CE, RoHS, For other certificates please request				
Product Size	617*239*89mm / 24.29*9.41*3.5 inches				
Net Weight	4.9kg / 10.8 lbs				
Carton size	670*287*155mm / 26.38*11.3*6.1 inches				
Gross weight	6.2kg / 13.67 lbs				
Recommend installation height	General 4-12m, based on actual project requirements				
Application field	Road & highway, urban road & street, residential area, parks, parking lot, riverside & jogging track				
Standard Accessories	Standard SPD 10kV (EU)				
Optional Accessories	Upgraded SPD, Auto cut-off, Support rod., Photocell (with Nema socket), Zhaga socket, DALI controller, others on request				
Important note!	The provided information is solely for reference; the official measurement report holds higher authority.				

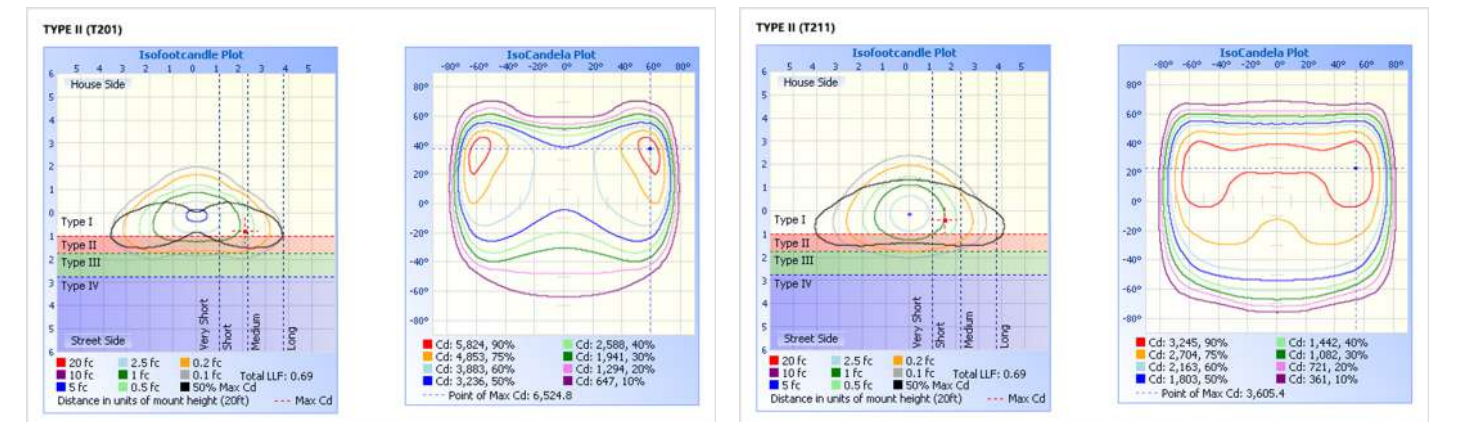
Ordering Information

AOK	WATTS	VOLTAGE	LED CHIPS	TYPE OF SENSOR	CCT&CRI	DISTRIBUTION	MOUNT	HOUSING	OPTION
ILA20	NV=100-277V	L3=Lumileds 3030	00=Without Sensor	2770=2700K 70CRI	T2=Type II	A=Side Entry	SG=Silver Gray	10KV SPD	
ILA30	HV1=100-480V	S3=Seoul 3030	PH=Photocell	3070=3000K 70CRI	T3=Type III	B=Post Top	BZ=Bronze	20KV SPD	
ILA40	HV2=200-480V	L5=Lumileds 5050	DV=Dimmable	4070=4000K 70CRI	T4=Type IV		BK=Black	Zhaga receptacle	
ILA50		S5=Seoul 5050		5070=5000K 70CRI			Custom request		
ILA60				5770=5700K 70CRI					
ILA70				6570=6500K 70CRI					
ILA80				2780=2700K 80CRI					
ILA90				3080=3000K 80CRI					
ILA100				4080=4000K 80CRI					
ILA120				5080=5000K 80CRI					
ILA130				5780=5700K 80CRI					
ILA140				6580=6500K 80CRI					
ILA150									

Photometry



Illuminance Diagram



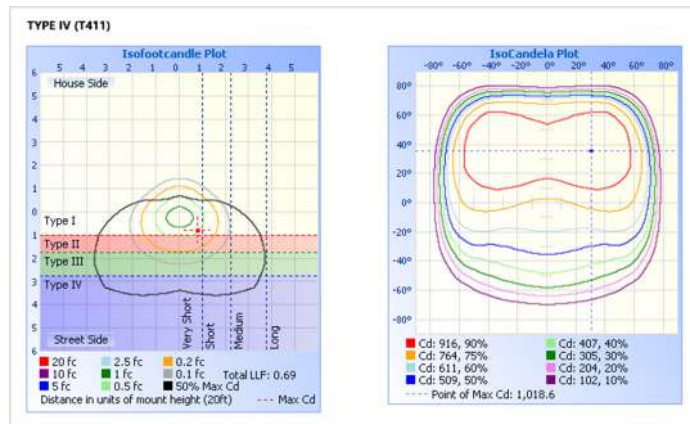
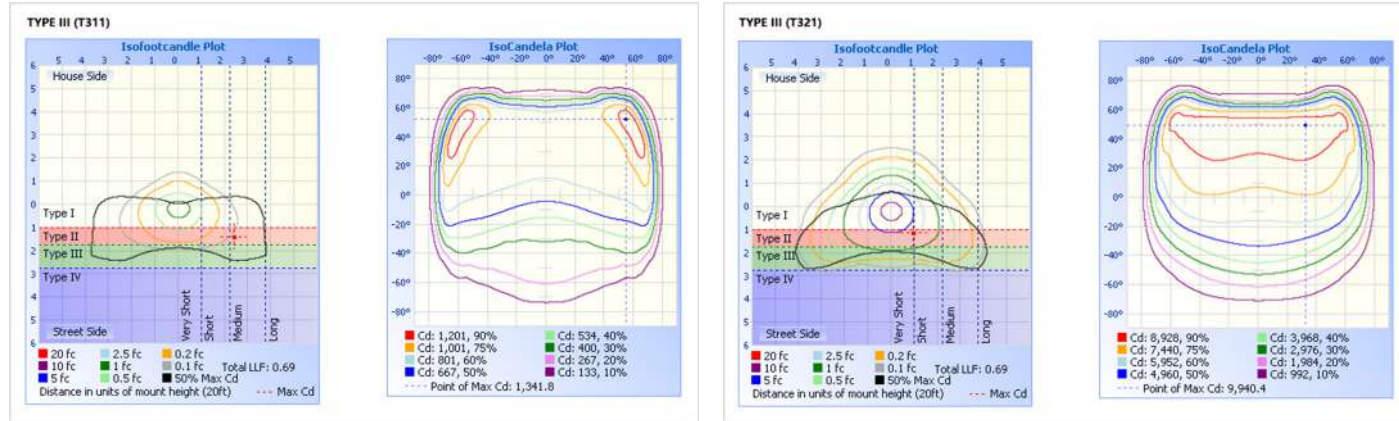
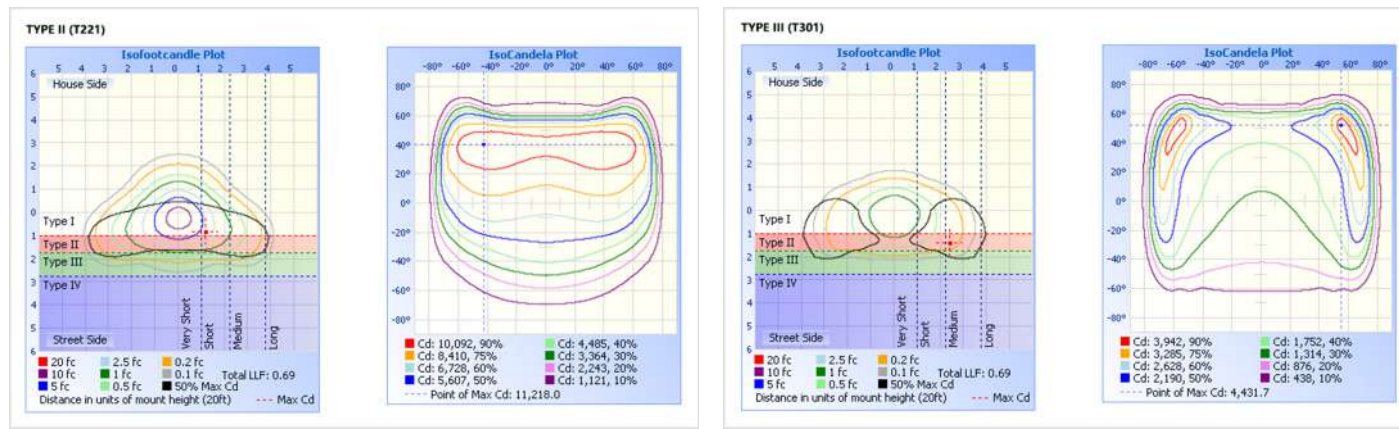
ILA Series Specification Sheet

*Due to the constant improvements in product development, individual parameters might change. Please refer to our sales or R&D team for most up-to-date content as specifications are subject to change without notice.

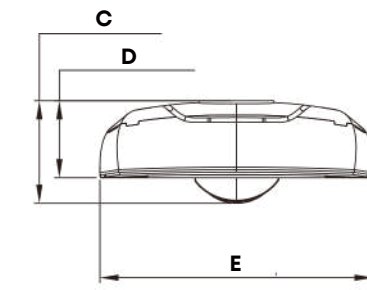
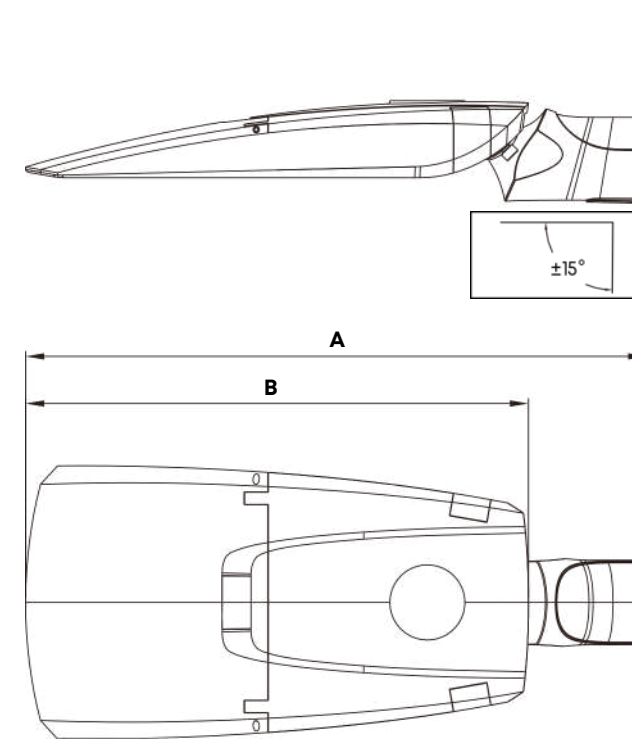
wally@ookledlight.com
+1 626-986-4050 (US)
+86 755 2357 9148 (CN)

©2023 AOK LED LIGHT CO., LTD. All Right Reserved.



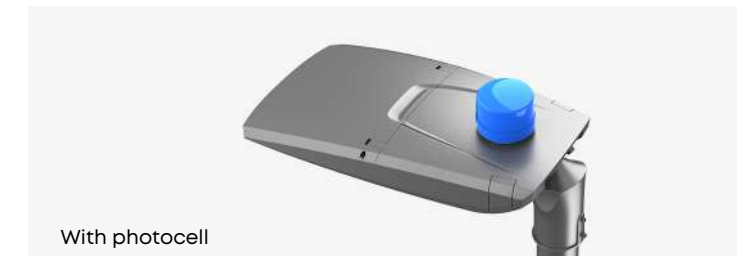


Fixture Dimensions



	A	B	C
20w-60w	537mm 21.14"	435mm 17.13"	88mm 3.46"
70w-100w	567mm 22.32"	465mm 18.31"	88mm 3.46"
120w-150w	617mm 24.29"	515mm 20.28"	89mm 3.50"
	D	E	
20w-60w	67mm 2.64"	210mm 8.27"	
70w-100w	67mm 2.64"	228mm 8.98"	
120w-150w	69mm 2.72"	239mm 9.41"	

Mounting & Control Options



Controller & Receptacle



Zhaga Receptacle

Shorting cap

3 pin/7 pin receptacle

Photocell

DIM

LoRa

DALI CONTROL

GPRS NB-IoT

10KV SPD

20KV SPD

ILA Series Specification Sheet

*Due to the constant improvements in product development, individual parameters might change. Please refer to our sales or R&D team for most up-to-date content as specifications are subject to change without notice.

wally@aokledlight.com
+1 626-986-4050 (US)
+86 755 2357 9148 (CN)

©2023 AOK LED LIGHT CO., LTD. All Right Reserved.





Illuminate Your Future

5 **10** **WARRANTY**
5 Year Limited Warranty,
10 Year Preferred Warranty.
Please consult with our sales for detailed agreement.

wally@aokledlight.com
www.aokledlight.com
+1 626-986-4050 (US)
+86 755 2357 9148 (CN)

Manufacturing: Building 1 & 4, St. George's Science and Technology Industrial Park, Shajing Street, Shenzhen, China, 518124.
Fuzhou HQ: Room 301, Yujing Business Center Zone 1, No. 12 Baihuazhou road, Cangshan district, Fuzhou, China, 350007
NorthAmerica HQ: 18541 E Gale Ave, City of Industry, CA91748 USA

Copyright ©2023 AOK LED LIGHT CO., LTD. All Right Reserved.