

200+ Patent Certificates
\$1,000,000+ Annual Energy Saving
20,000+ Projects Successfully Installed



IF Series LED Flood Light

Power: 30W-300W

Innovative & Tailored
Lighting Solutions for **Success**
www.aokledlight.com

Features of **IF** Series



For others & details please request



30W-50W



75W



96W-145W



200W-230W



260W-300W

U- bracket standard material: SPCC.

The bracket may rust if used for an extended period, but it does not affect the lifespan of the light fixture itself. If there are specific requirements (whether it's regarding the material or the shape), please specify them before placing an order.



WARRANTY

5 Year Limited Warranty,
10 Year Preferred Warranty.
Please consult with our sales for detailed agreement.

- iF series LED flood light provides general area lighting and improve the overall look of facades and signage.
- The slim, low profile design adds architectural appeal to any general flood lighting application with crisp uniform white light that offer high performance maximizing energy savings. With remarkable light quality and smooth white light, buildings and signage will stand out in the crowd.
- Die-cast aluminum housing treated with electrophoresis and powder coating for strong anti-corrosion performance.
- Extra clear silk printed tempered glass.
- Bracket surface featuring hot galvanizing processing, providing strong corrosion resistance.
- Adjustable bracket +/-90 by means of mechanics
- Power factor: Up to 0.98 at full load
- Surge protection: 10kV CM/6kVDM surge immunity according to EN 61000-4-5 and EN 61547
- Industrial application, parking lots, monuments, buildings, and general area spaces.

Benefits for choosing IF



• Low Energy Consumption

Flood lights are energy-efficient and promote substantial energy savings.



• Professional Distribution Options

High-performance light-steering optics with 30D/60D/90D/110D/120D/T2/T3/T4/T5 are optional.



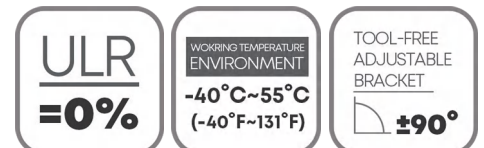
• Compatible Controller Options

High-efficiency driver with dimming and other options compatible.



• Easy Maintenance

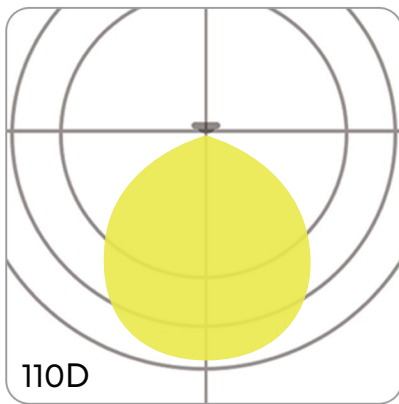
Flood lights are user-friendly, cost-effective, and require minimal maintenance.



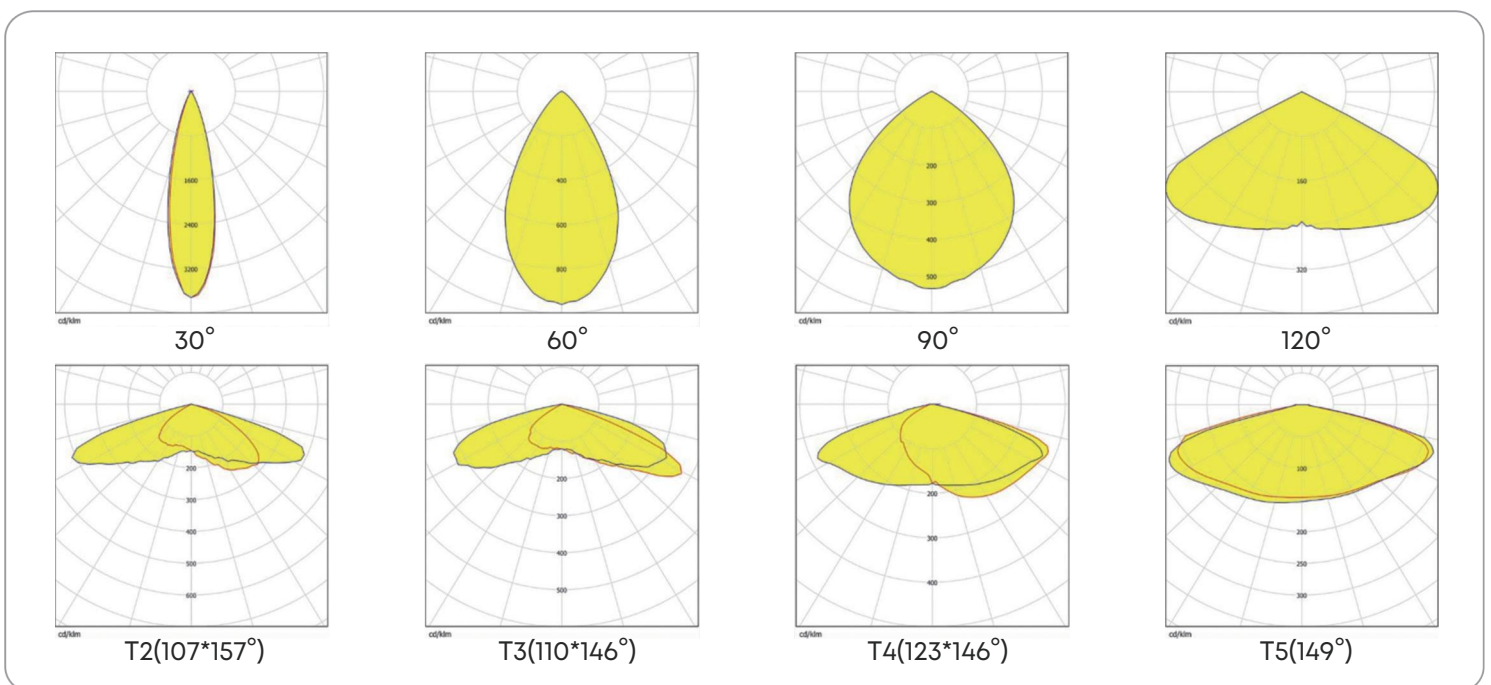
Photometric Design

- Optimized, premium optical grade Mitsubishi polycarbonate lens, the efficient design of the modules make each light engine highly customizable, allowing the light distribution to be aimed toward the application.
- Optical systems allow for versatility and flexible control for a wide variety of applications.
- We deliver innovation and customization, further expanding the flexibility of the project. Exceptional uniformity and low glare for maximum comfort and neighbor-friendly.

IF-30W/50W/75W
Optional Beam Angle: 110°



IF-96W/145W/200W/230W/260W/300W
Optional Beam Angle: 30°/60°/90°/110°/120°/T2(107*157°)/T3(110*146°)/T4(123*146°)/T5(149°)



Application Reference

- Facade lighting
- Security lighting
- Signboard lighting
- Parking lot lighting
- Underpass lighting
- Perimeter & area lighting
- Landscape lighting



Parameter Table

Electrical Data			
Model	AOK-30WiF	AOK-50WiF	AOK-75WiF
Power(W)	30W	50W	75W
Input Voltage	100-277VAC		
THD	<9%		
PF	>0.98		
Control Option	DALI, 1-10V/ PWM / timer dimming, Nema, Zhaga, Presence detection sensor . Dim-to-Off with standby power <= 0.5W.		
Operating Temperature	-40°C to 55°C (-40 °F to 131 °F)		
Driver	Meanwell/Sosen		
Surge Protection	10KV CM/6KV DM surge immunity according to EN 61000-4-5 and EN 61547		
Photometric Data			
Efficacy (lm/W, Std Dev ±5%)	138lm/W	137lm/W	135lm/W
Luminous Flux(lm)@CRI 70Ra, 4000K,(Std Dev ±5%)	4140lm	6850lm	10125lm
ULOR	= 0%, @ Luminaire inclination 0°		
CCT	3000K, 4000K, 5000K, 5700K, 6500K		
CRI	70Ra, 80Ra, 90Ra optional		
Beam Angle	30°/60°/90°/110°/120° T2(107*157°)/T3(110*146°)/T4(123*146°)/T5(149°)		
LED Manufacturer	LUMILEDS		
LED Model	Lumileds 3030		
Number of LED	60	60	96
Working Current of Single LED	73mA	124mA	116mA
Lens	Polycarbonate & tempered glass		
Mechanical Data			
IP/IK	IP66/IK08, according to standard EN 60529 and EN 62262		
Vibration Resistance	3G, conform to standard IEC 68-2-6.		
SCx	Side: 0.009395m ² Front-side: 0.009035m ² Front: 0.046919m ²	Side: 0.009395m ² Front-side: 0.009035m ² Front: 0.046919m ²	Side: 0.012416m ² Front-side: 0.011320m ² Front: 0.076177m ²
Housing	Heavy-duty die-cast aluminum (EN AC-46100)		
Surface Treatment	Anti-UV thermosetting polyester / 80 micron epoxy primer + Anti-UV thermosetting polyester (for extremely corrosive environments).		
Painting	Black, Silver, Custom request		
Cable	Pre-wired with a 30 cm cable (Other lengths on request)		
Mounting	Under yoke mount		
Others			
Lifespan	L80B10 > 60000 h, @Ta 25°C		
Warranty	5 years limited warranty, 10years optional		
Certification	UL/cUL/FCC/SAA/CE/RoHS,For other certificates please request		
Product Size	282*220*52mm / 11.1*8.7*2.0 inches	282*220*52mm / 11.1*8.7*2.0 inches	337*269*52mm / 13.3*10.6*2.0 inches
Net Weight	1.69kg / 3.73 lbs	1.79kg / 3.95 lbs	2.75kg / 6.06 lbs
Carton Size	312*252*78mm / 12.3*9.9*3.1 inches	312*252*78mm / 12.3*9.9*3.1 inches	367*301*78mm / 14.4*11.9*3.1 inches
Gross Weight	1.8kg / 3.97 lbs	1.9kg / 4.19 lbs	2.8kg / 6.17 lbs
Application Field	Facade, security lighting, signboard, monuments, parking lot, underpass, perimeter & area, landscape		
Important Note!	The provided information is solely for reference; the official measurement report holds higher authority.		

Parameter Table

Electrical Data			
Model	AOK-96WiF	AOK-145WiF	AOK-200WiF
Power(W)	96W	145W	200W
Input Voltage	100-277VAC		
THD	<9%		
PF	>0.98		
Control Option	DALI, 1-10V/ PWM / timer dimming, Nema, Zhaga, Presence detection sensor . Dim-to-Off with standby power <= 0.5W.		
Operating Temperature	-40°C to 55°C (-40 °F to 131 °F)		
Driver	Meanwell/Sosen		
Surge Protection	10KV CM/6KV DM surge immunity according to EN 61000-4-5 and EN 61547		
Photometric Data			
Efficacy (lm/W, Std Dev ±5%)	138lm/W	135lm/W	130lm/W
Luminous Flux(lm)@CRI 70Ra, 4000K,(Std Dev ±5%)	13248lm	19575lm	26000lm
ULOR	= 0%, @ Luminaire inclination 0°		
CCT	3000K, 4000K, 5000K, 5700K, 6500K		
CRI	70Ra, 80Ra, 90Ra optional		
Beam Angle	30°/60°/90°/110°/120° T2(107*157°)/T3(110*146°)/T4(123*146°)/T5(149°)		
LED Manufacturer	LUMILEDS		
LED Model	Lumileds 3030		
Number of LED	192	192	240
Working Current of Single LED	78mA	118mA	129mA
Lens	Polycarbonate & tempered glass		
Mechanical Data			
IP/IK	IP66/IK08, according to standard EN 60529 and EN 62262		
Vibration Resistance	3G, conform to standard IEC 68-2-6.		
SCx	Side: 0.011320m ² Front-side: 0.015971m ² Front: 0.108840m ²	Side: 0.011320m ² Front-side: 0.015971m ² Front: 0.108840m ²	Side: 0.020125m ² ; Front-side: 0.018668m ² Front: 0.143633m ²
Housing	Heavy-duty die-cast aluminum (EN AC-46100)		
Surface Treatment	Anti-UV thermosetting polyester / 80 micron epoxy primer + Anti-UV thermosetting polyester (for extremely corrosive environments).		
Painting	Black, Silver, Custom request		
Cable	Pre-wired with a 30 cm cable (Other lengths on request)		
Mounting	Under yoke mount		
Others			
Lifespan	L80B10 > 60000 h, @Ta 25°C		
Warranty	5 years limited warranty, 10years optional		
Certification	UL/cUL/FCC/SAA/CE/RoHS,For other certificates please request		
Product Size	416*300*55mm / 16.4*11.8*2.2 inches	416*300*55mm / 16.4*11.8*2.2 inches	489*350*59mm / 19.3*13.8*2.3 inches
Net Weight	4.62kg / 10.19 lbs	4.8kg / 10.58 lbs	5.71kg / 12.59 lbs
Carton Size	475*370*115mm / 18.7*14.6*4.5 inches	475*370*115mm / 18.7*14.6*4.5 inches	540*420*115mm / 21.3*16.5*4.5 inches
Gross Weight	5.4kg / 11.90 lbs	5.6kg / 12.35 lbs	6.62kg / 14.59 lbs
Application Field	Facade, security lighting, signboard, monuments, parking lot, underpass, perimeter & area, landscape		
Important Note!	The provided information is solely for reference; the official measurement report holds higher authority.		

Parameter Table

Electrical Data			
Model	AOK-230WIF	AOK-260WIF	AOK-300WIF
Power(W)	230W	260W	300W
Input Voltage	100-277VAC		
THD	<9%		
PF	>0.98		
Control Option	DALI, 1-10V/ PWM / timer dimming, Nema, Zhaga, Presence detection sensor . Dim-to-Off with standby power <= 0.5W.		
Operating Temperature	-40°C to 55°C (-40 °F to 131 °F)		
Driver	Meanwell/Sosen		
Surge Protection	10KV CM/6KV DM surge immunity according to EN 61000-4-5 and EN 61547		
Photometric Data			
Efficacy (lm/W, Std Dev ±5%)	120lm/W	125lm/W	134lm/W
Luminous Flux(lm)@CRI 70Ra, 4000K,(Std Dev ±5%)	27600lm	32500lm	40200lm
ULOR	= 0%, @ Luminaire inclination 0°		
CCT	3000K, 4000K, 5000K, 5700K, 6500K		
CRI	70Ra, 80Ra, 90Ra optional		
Beam Angle	30°/60°/90°/110°/120° T2(107*157°)/T3(110*146°)/T4(123*146°)/T5(149°)		
LED Manufacturer	LUMILEDS		
LED Model	Lumileds 3030		
Number of LED	240	384	384
Working Current of Single LED	148mA	105mA	122mA
Lens	Polycarbonate & tempered glass		
Mechanical Data			
IP/IK	IP66/IK08, according to standard EN 60529 and EN 62262		
Vibration Resistance	3G, conform to standard IEC 68-2-6.		
SCx	Side: 0.020125m ² ; Front-side: 0.018668m ² Front: 0.143633m ²	Side: 0.022425m ² Front-side: 0.029759m ² Front: 0.217231m ²	Side: 0.022425m ² Front-side: 0.029759m ² Front: 0.217231m ²
Housing	Heavy-duty die-cast aluminum (EN AC-46100)		
Surface Treatment	Anti-UV thermosetting polyester / 80 micron epoxy primer + Anti-UV thermosetting polyester (for extremely corrosive environments).		
Painting	Black, Silver, Custom request		
Cable	Pre-wired with a 30 cm cable (Other lengths on request)		
Mounting	Under yoke mount		
Others			
Lifespan	L80B10 > 60000 h, @Ta 25°C		
Warranty	5 years limited warranty, 10years optional		
Certification	UL/cUL/FCC/SAA/CE/RoHS,For other certificates please request		
Product Size	489*350*59mm / 19.3*13.8*2.3 inches	496*503*65mm / 19.5*19.8*2.6 inches	496*503*65mm / 19.5*19.8*2.6 inches
Net Weight	5.9kg / 13.01 lbs	10.3kg / 22.71 lbs	10.3kg / 22.71 lbs
Carton Size	540*420*115mm / 21.3*16.5*4.5 inches	580*570*115mm / 22.8*22.4*4.5 inches	580*570*115mm / 22.8*22.4*4.5 inches
Gross Weight	6.81kg / 15.01 lbs	11.21kg / 24.71 lbs	11.21kg / 24.71 lbs
Application Field	Facade, security lighting, signboard, monuments, parking lot, underpass, perimeter & area, landscape		
Important Note!	The provided information is solely for reference; the official measurement report holds higher authority.		

Construction Features

ELECTRICAL

- Input Voltage: 100-240V, 50/60Hz
- Power factor: Up to 0.98 at full load
- Surge protection: 10kV CM/6kVDM surge immunity according to EN 61000-4-5 and EN 61547

CERTIFICATION/LISTING

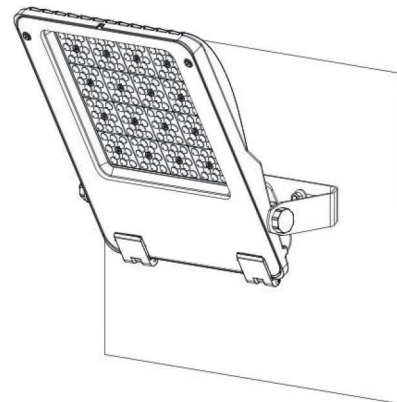
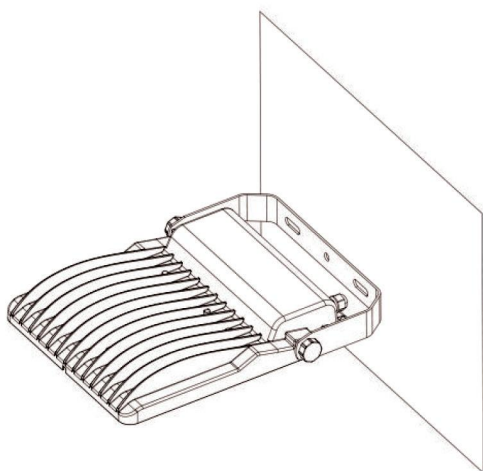
- CE Listed;
- RoHS compliant;
- Enclosure rated IP66 per IEC 60529
- Compliant to: EN-60598-1; EN- 60598-2-3.

CONSTRUCTION

- Die cast aluminum housing treated with electrophoresis and powder coating for strong anti-corrosion performance.
- Extra clear silk printed tempered glass.
- Bracket surface featuring hot galvanizing processing, providing strong corrosion resistance.
- Tool-less entry through buckles integrated.
- Tool-less adjustable bracket +/-90 by means of mechanics .
- Lifetime: >60000hrs @Ta 25°C.
- Operating temperature rating of -40°F to 131°F (-40°C to 55°C).

Ordering Information

AOK					
WATTS	VOLTAGE	LED CHIPS	CCT&CRI	HOUSING	OPTIONS
30WIF	NV=100-277V	L3=Lumileds3030	2770=2700K 70CRI	BK=Black	30D=30°
50WIF		L5=Lumileds5050	3070=3000K 70CRI	SG= Silver Gray	60D=60°
75WIF			4070=4000K 70CRI		90D= 90°
96WIF			5070=5000K 70CRI		110D=110°
145WIF			5770=5700K 70CRI		120D=120°
200WIF			6570=6500K 70CRI		T2(107°157°)
230WIF			2780=2700K 80CRI		T3(110°146°)
260WIF			3080=3000K 80CRI		T4(123°146°)
300WIF			4080=4000K 80CRI		T5(149°)
			5080=5000K 80CRI		
			5780=5700K 80CRI		
			6580=6500K 80CRI		





Quality, Honesty, Service and Innovation

Innovative & Tailored Lighting Solutions for **Success**



WARRANTY

5 Year Limited Warranty,
10 Year Preferred Warranty.

Please consult with our sales for detailed agreement.

wally@aokledlight.com

www.aokledlight.com

+1 626-986-4050 (US)

+86 755 2357 9148 (CN)

Manufacturing:

Shenzhen: Building 1 & 4, St. George's Science and Technology Industrial Park, Shajing Street, Shenzhen, China, 518124.

Huizhou: Building 2, Yinghui Electronic Science and Tech Park, No. 6 Dongsheng North Rd, Chenjiang Street, Zhongkai High-tech Zone, Huizhou, China. 516006.

Fuzhou HQ: Room 301, Yujing Business Center Zone 1, No. 12 Baihuazhou road, Cangshan district, Fuzhou, China, 350007

Copyright ©2024 AOK LED LIGHT CO., LTD. All Right Reserved.