

UFO LED HIGH BAY LIGHT

Power: 100W, 150W, 200W, up to 600W replacement



# I U S E R I E S

UPTO 130LM/W  
[www.aokledlight.com](http://www.aokledlight.com)

**AOK**<sup>®</sup>  
Quality, Honesty, Service and Innovation

**SPECIFICATIONS & FEATURE**

• iU series is designed for Indoor and Industrial lighting , a superior high output, high efficiency LED High Bay light, featuring a unique optical design that virtually eliminates glare with minimal impact on performance. It is available in a variety of distributions for lighting applications such as gyms, industrial, multi-purpose rooms in schools, churches and retails etc.

**CONSTRUCTION**

- Housing: Die cast aluminum
- Light engine is thermally isolated from driver components
- UV stabilized polyester powder paint finish
- Installation: Fixture hook come as standard, pendant mount from 3/4" threaded conduit optional
- Symmetrical for easy one-for-one replacement of existing high bays

**LED**

- LPW (lumens/watt): up to 130lm/w
- 3000K, 4000K, 5000K, 5700K, 6500K CCT
- Minimum CRI of 70, 80, and 90 optional

**FINISH**

- Rugged, weather-tight design and 3G Vibration ratings ensure durability even in harsh environments.

**OPTICAL / ELECTRICAL**

- Precision engineered individual lenses made of optical grade Mitsubishi polycarbonate for maximum light intensity.
- Three distributions to maximize performance:
  - 60°, 90°, 120°
- -40 C ~50 C operating temp range
- 100-277V operation 50/60HZ standard, 200-480V 50/60HZ optional
- 1-10V dimming driver standard, DALI, ZIGBEE dimming optional

**WIRELESS CONTROL**

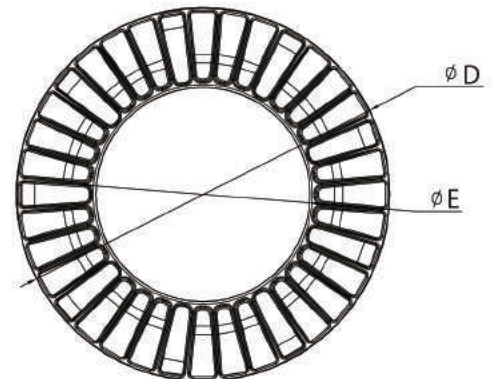
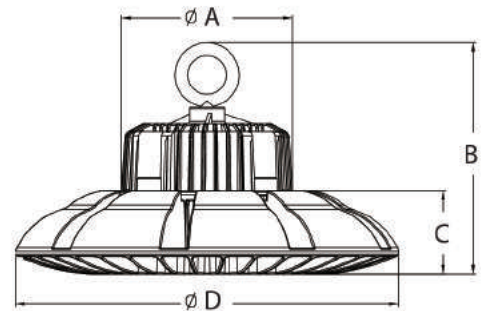
- Occupancy sensor option
- ZIGBEE Wireless control system option

up to 130lm/w

**IU SERIES**



**FIXTURE DIMENSIONS**



A	B	C	D	E
100W/120W				
130mm	192mm	65mm	300mm	170mm
150W/200W				
152mm	208mm	80mm	380mm	218mm

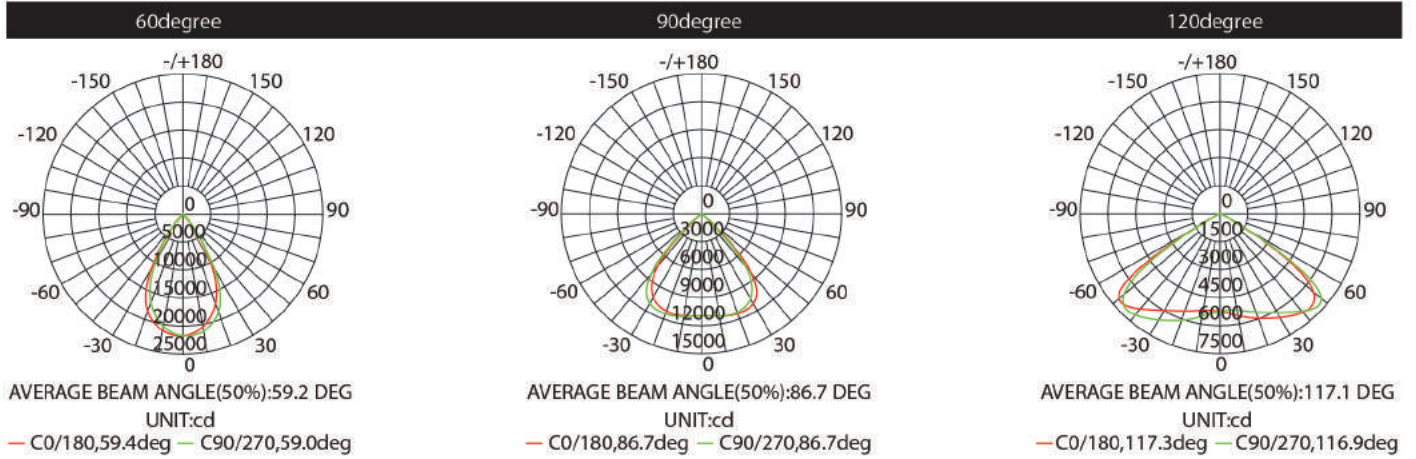
**CERTIFICATIONS/LISTINGS**



**ORDERING INFORMATION**

AOK							
WATTS	VOLTAGE	LED CHIPS	TYPE OF SENSOR	CCT&CRI	DISTRIBUTION	MOUNT	
100WiU	NV=100-277V	L3=LUMILEDS 3030	00= Without sensor	3070= 3000K 70CRI	60D=60deg	Eye bolt	
120WiU	HV=347/480V		SN= Motion sensor	4070= 4000K 70CRI	90D=90deg	Yoke Mount	
150WiU			DV=Dimmable	5070= 5000K 70CRI	120D=120deg	Chain Mount	
200WiU				5770= 5700K 70CRI			
				3080= 3000K 80CRI			
				4080= 4000K 80CRI			
				5080= 5000K 80CRI			
				5780= 5700K 80CRI			

**PHOTOMETRY**



All published Luminaire photometric testing performed to IESNA LM-79-08 standards by a NVLAP accredited Laboratory.

**TECHNICAL SPECIFICATIONS**

MODEL	WATTS	Replace MHL	LUMEN OUTPUT / OPTICS	IP & IK	FIXTURE DIMENSION	NW	MAXIMUM CURRENT
AOK-100WiU	100	300W	13211.2lm / 60° 12910.5lm / 90° 12716.5lm / 120°	IP65&IK10	12*12*7.5" (30*30*19cm)	10lbs (4.5kgs)	1.05A
AOK-120WiU	120	350W	15063.6lm / 60° 15050.2lm / 90° 15159.8lm / 120°	IP65&IK10	12*12*7.5" (30*30*19cm)	10lbs (4.5kgs)	1.25A
AOK-150WiU	150	400W	19399.8lm / 60° 19382.7lm / 90° 19500.9lm / 120°	IP65&IK10	15*15*8.3" (38*38*21cm)	15lbs (7kgs)	1.65A
AOK-200WiU	200	600W	24500.7lm / 60° 24238lm / 90° 24703.9lm / 120°	IP65&IK10	15*15*8.3" (38*38*21cm)	15lbs (7kgs)	2.2A