



IHL **-SERIES**

LED LINEAR HIGH BAY LIGHT

UP TO **1000W MHL**
REPLACEMENT

● POWER: 110W/165W/225W/325W

EXPERTS WITH
PROFESSIONAL SOLUTION

WWW.AOKLEDLIGHT.COM

SPECIFICATIONS & FEATURES

• The LED Linear High Bay is the ideal replacement for traditional fluorescent lighting in warehouses and other large interior spaces such as gymnasiums, industrial and multi-purpose rooms in schools etc, a superior high output, high efficiency LED High Bay light, featuring a unique optical design that virtually eliminates glare with minimal impact on performance.

OPTICAL / ELECTRICAL

- Long-life LED system coupled with electrical driver to deliver optimal performance with up to 130 lm/w
- Operating temperature rating of -40°F to 122°F (-40°C to 50°C)
- Input voltage of 120-277V
- 480 volt option available as special order.
- Dimming: 1-10V standard - requires low voltage dimmer.

LED

- LPW (lumens/watt): up to 130lm/w.
- 3000K, 4000K, 5000K, 5700K, 6500K CCT.
- Minimum CRI of 70, 80, and 90 optional.

CONSTRUCTION

• Vented steel housing provides thermal management through natural convection.

WIRELESS CONTROL

- Occupancy sensor option.

MOUNTING OPTIONS

- Mounting options include V-hook and chain(included), pendant (optional) Rod Mount (Optional), Surface Mount (Optional)
- 5-year limited system warranty standard
- Warranty does not cover product failure due to an over-voltage event (power surge). For installations where power surge may be possible, Superior recommends installing additional surge protection at the fixture or electrical distribution panel.

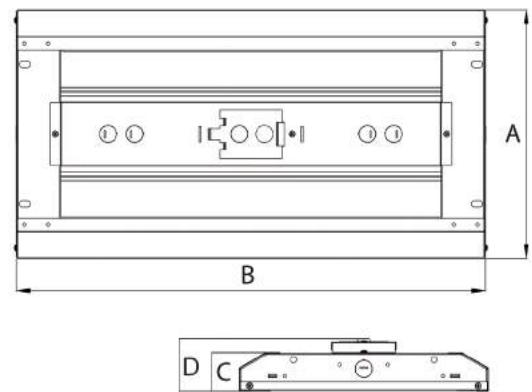


IHL LINEAR HIGH BAY LIGHT



up to 130lm/w

FIXTURE DIMENSIONS



A	B	C	D
12.60"	23.82"	1.97"	2.99"
A-110WiHL			
17.32"	23.82"	1.97"	2.99"
A-165WiHL			
17.32"	23.82"	1.97"	2.99"
A-225WiHL			
12.60"	45.87"	1.97"	2.99"
A-165WiHL/ A-225WiHL			
17.32"	45.87"	1.97"	2.99"
A-325WiHL			

CERTIFICATIONS / LISTINGS



ORDERING INFORMATION

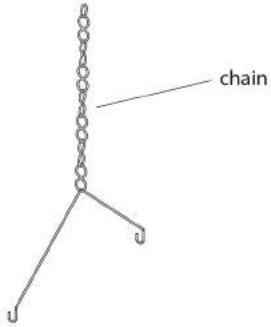
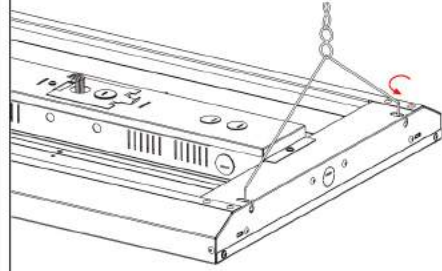
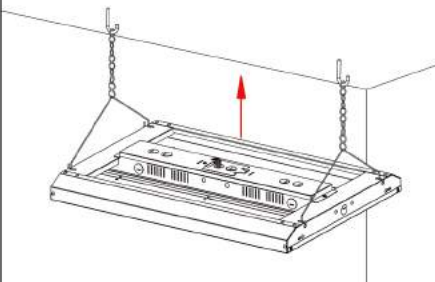
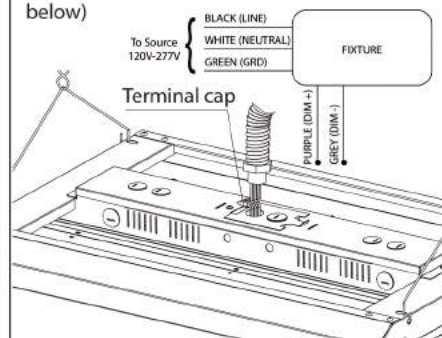
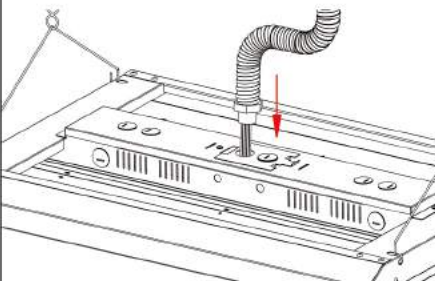
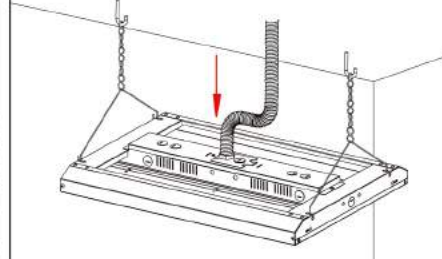
AOK						
WATTAGE	VOLTAGE	TYPE OF SENSOR	CCT&CRI	DISTRIBUTION	MOUNT	LENGTH
110WiHL	NV=100-277V	00= Without sensor	3070= 3000K 70CRI	120D=120deg	Hook Chain	2FT
165WiHL	HV=347/480V	SN= Motion Sensor	4070= 4000K 70CRI		Pendant	4FT
225WiHL		DV=Dimmable	5070= 5000K 70CRI		Rod Mount	
325WiHL			5770= 5700K 70CRI		Surface Mount	
			3080= 3000K 80CRI			
			4080= 4000K 80CRI			
			5080= 5000K 80CRI			
			5780= 5700K 80CRI			



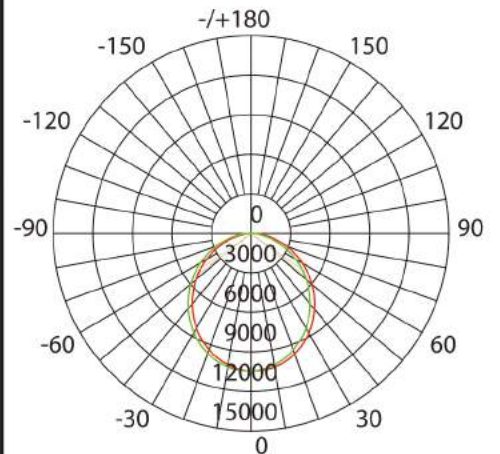
TECHNICAL SPECIFICATIONS

MODEL	WATTS	LUMINAIRE LUMEN OUTPUT	REPLACE MHL	IP & IK	SIZE	NW	PACKING CARTON
AOK-110WiHL	110W	14300lm	300W	IP40&IK08	2ft	8.82lbs (4kg)	25.78*15.75*9.8" (655*400*250mm)
AOK-165WiHL	165W	21450lm	500W	IP40&IK08	2ft	11.02lbs (5kg)	25.78*15.75*9.8" (655*400*250mm)
AOK-225WiHL	225W	29250lm	600W	IP40&IK08	2ft	11.02lbs (5kg)	25.78*15.75*9.8" (655*400*250mm)
AOK-165WiHL	165W	21450lm	500W	IP40&IK08	4ft	17.64lbs (8kg)	47.83*15.75*9.8" (1215*400*250mm)
AOK-225WiHL	225W	29250lm	600W	IP40&IK08	4ft	17.64lbs (8kg)	47.83*15.75*9.8" (1215*400*250mm)
AOK-325WiHL	325W	42250lm	1000W	IP40&IK08	4ft	22.05lb (10kg)	47.83*15.75*9.8" (1215*400*250mm)

CHAIN INSTALLATION

- Hook the chain as below pic.
 
- Insert the hook into the slotted holes, as shown below.
 
- Hook up the chain on the ceiling anchor.
 
- Turn off power, and make wiring connections with terminal cap. (see wiring instruction below)
 
- Insert the terminal cap and wires into the driver box
 
- Insert the wire terminal joint to the wire entry. Installation completed.
 

PHOTOMETRY



AVERAGE BEAM ANGLE(50%):106.8 DEG
UNIT:cd

— C0/180,107.0 — C90/270,106.7

All published Luminaire photometric testing performed to IESNA LM-79-08 standards by a NVLAP accredited Laboratory.

APPLICATIONS

