



**IP/IPS** LED URBAN AMENITY LIGHT  
25W-300W



**100+** Patent Certificates  
**\$1,000,000+** Annual Energy Saving  
**10,000+** Projects Successfully Installed

**Better Performance  
Starts From Better Lighting**  
[www.aokledlight.com](http://www.aokledlight.com)



## > Features of IP(S)Series

IP(S) series is designed to provide ambient and residential lighting. Its elegant and harmonious design makes it not only a lantern, but also a work of art.

- Robust die-cast aluminum housing.
- UV stabilized polyester powder paint finish for durability and corrosion resistance.
- Multiple mounting options: Post top I&II, slide entry and cable suspending installation available.
- With Tempered Glass Cover to protect the optics.
- Uniform luminous flux and low glare.
- IP66 IK09.
- Compatible with DALI, Zhaga / Nema standards, Presence detection sensor.
- 1-10V/ PMW/ timer dimming, 3 timer modes, Dim-to-Off with standby power  $\leq 0.5W$ .
- 3G vibration rating

<b>UP TO</b> <b>135</b> lm/W	<b>Class I</b> AND <b>Class II</b>	<b>Working Temperature Environment</b> -40°C~50°C (-40°F~+122°F)	<b>100-277V</b> <b>50/60HZ</b>
<b>ULR</b> <b>=0</b>	<b>THD</b> MIN. <b>&lt;8%</b>	<b>CRI</b> <b>70/80/90</b>	• 2700K • 3000K • 4000K • 5000K • 5700K • 6500K
<b>IP66</b> <b>IK09</b>	<b>3G</b> VIBRATION TESTING	<b>DIM</b>	



IPS(25W-60W)



IP(25W-300W)



# Illuminate Your Future

**5** **10** **WARRANTY**  
5 Year Limited Warranty,  
10 Year Preferred Warranty.  
Please consult with our sales for detailed agreement.

wally@akledlight.com  
+1 626-986-4050 (US)  
+86 755 2357 9148 (CN)  
©2023 AOK LED LIGHT CO., LTD. All Right Reserved.



## > Fabulous Design



- The design features a die-cast aluminum housing, ensuring durability.
- The absence of visible hardware enhances its aesthetic appeal.
- Its sleek and low-profile design showcases an attractive round form.
- Dynamic thermal management safeguards electrical components from exceeding temperature limitations.



### Flexible Installation Options



Post Top I



Side Entry

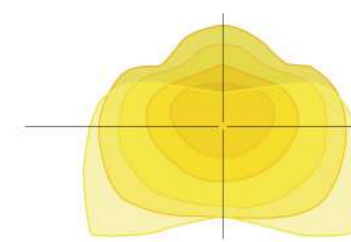


Cable Suspended

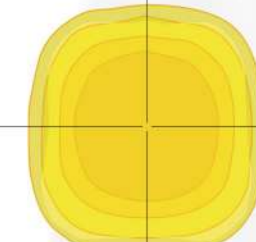


Post Top II

### Photometry Design



TYPE IV (T401)



TYPE V (T501)

Pedestrian cityscape requires an architectural luminaire to enhance the site by day and to provide visual comfort and security by night.

IP series offers precise optical control up to 135 lumens per watt with distinct optimally designed distributions.

## > Application Reference



- Urban road & street lighting
- Residential area lighting
- Parks & perimeter lighting
- Tramway path lighting
- Riverside & jogging track

# Parameter Table (IP Series)

Electrical Data							
Model	AOK-25WiP	AOK-50WiP	AOK-75WiP	AOK-120WiP	AOK-150WiP	AOK-240WiP	AOK-300WiP
Power	25W	50W	75W	120W	150W	240W	300W
Input voltage	100-277VAC, 50/60Hz						
THD	<8% (Classic); <10% (220VAC@full load); <20% (100-277VAC@full load)						
PF	> 0.98						
Driver	Sosen / Meanwell / Inventronics / Philips .Class 1/ Class 2, EU						
Ambient temperature	-40°C to 50°C						
Storage temperature	-40°C to 80°C (-40 °F to 176 °F)						
Control option	DALI, 1-10V/ PWM / timer dimming, Nema, Presence detection sensor. Dim-to-Off with standby power <= 0.5W.						
Surge protection	10kV / 20kV optional						

Photometric Data							
Efficacy (lm/W, Std. Dev. ±5%)@CCT=4000K, CRI>70Ra	130lm/W	125lm/W	120lm/W	115lm/W	110lm/W	135lm/W	130lm/W
Luminous flux (lm, Std. Dev. ±5%)@CCT=4000K,CRI>70Ra	3250lm	6250lm	9000lm	13800lm	16500lm	32400lm	39000lm
ULOR	= 0%, @ Luminaire inclination 0°						
CCT	2700K, 3000K, 4000K, 5000K, 5700K, 6500K						
CRI	70Ra, 80Ra, 90Ra optional						
Beam angle	Type 4 ( 83° x 142°) / Type 5 ( 143° x 146°)						
LED Manufacturer	LUMILEDS/ Seoul / Others						
LED model	3030	3030	3030	3030	3030	3030	3030
Working current of single LED	30mA	60mA	80mA	100mA	100mA	120mA	120mA
Lens	Polycarbonate (Better impact resistance than glass)						

Mechanical Data	
IP/IK	IP66 / IK09, according to standard EN 60529 and EN 62262
Vibration resistance	3G, conform to standard IEC 68-2-6.
SCx	0.026m² / 0.197m²
Materials	High strength die-cast aluminum housing (EN AC-46100)
Protection	Polycarbonate, with tempered glass cover (5 mm thick)
Painting	RAL 9006 Silver gray / RAL 9005 Black, Customized color
Surface treatment	Anti-UV thermosetting polyester / 80~120 micron epoxy primer + Anti-UV thermosetting polyester (for extremely corrosive environments).
Cable	Pre-wired with a 30 cm cable (Other lengths on request)
Mounting	Cable suspended, Side entry, Post Top I, Post Top II
Dimension (without bracket)	Ø 460mm*80mm / Ø18.1*3.1 inches / Ø 520*91mm / Ø20.5*3.6 inches

Others	
LED Lifespan	L90 >100 000h, The luminous flux of the LED is reduced by 10% (L90) of its initial value at 100000 hours
Warranty	5 years in standard, 10 years optional

Certification							
IECEE CB, CE, RoHS, ENEC ( The company is ISO 9001 and ISO 14001 certified.)							
Net Weight	7.2 kg / 15.87 lbs	7.2 kg / 15.87 lbs	7.2 kg / 15.87 lbs	7.7 kg / 16.98 lbs	7.7 kg / 16.98 lbs	9.5 kg / 20.94 lbs	9.5 kg / 20.94 lbs
Gross weight	9.3 kg / 20.50 lbs	9.3 kg / 20.50 lbs	9.3 kg / 20.50 lbs	9.8 kg / 21.61 lbs	9.8 kg / 21.61 lbs	11.5 kg / 25.35 lbs	11.5 kg / 25.35 lbs
Carton size (Post Top I)	590*590*135mm / 23.2*23.2*5.3 inches	590*590*135mm / 23.2*23.2*5.3 inches	590*590*135mm / 23.2*23.2*5.3 inches	590*590*135mm / 23.2*23.2*5.3 inches	590*590*135mm / 23.2*23.2*5.3 inches	660*590*140mm / 26.0*23.2*5.5 inches	660*590*140mm / 26.0*23.2*5.5 inches
Carton size (Post Top II)	590*590*145mm / 23.2*23.2*5.7 inches	590*590*145mm / 23.2*23.2*5.7 inches	590*590*145mm / 23.2*23.2*5.7 inches	590*590*145mm / 23.2*23.2*5.7 inches	590*590*145mm / 23.2*23.2*5.7 inches	660*590*150mm / 26.0*23.2*5.9 inches	660*590*150mm / 26.0*23.2*5.9 inches
Recommended installation height	3~6 m	3~6 m	3~6 m	4~9 m	4~9 m	5~12 m	5~12 m
Application field	Urban road & streets, residential areas, parks & perimeter, tramway path, riverside & jogging track						
Important note!	The provided information is solely for reference; the official measurement report holds higher authority.						

# Parameter Table (IPS Series)

<b>Power:</b>	25WiPS, 50WiPS, 60WiPS
<b>Input Voltage:</b>	100-277V, 50/60Hz;
<b>THD:</b>	<9%
<b>Power Factor:</b>	>0.98
<b>Operating Temp:</b>	-40°C to 50°C (-40 °F to 122 °F)
<b>Storage Temp:</b>	-40°C to 80°C (-40 °F to 176 °F)
<b>Lens:</b>	Same as IP series
<b>Efficacy(Std. Dev. ±5%):</b>	132lm/W, 130lm/W, 130lm/W
<b>Lumen Flux(Std. Dev. ±5%):</b>	3300lm, 6500lm, 7800lm
<b>CCT &amp; CRI:</b>	Same as IP series
<b>Beam Angel:</b>	Same as IP series

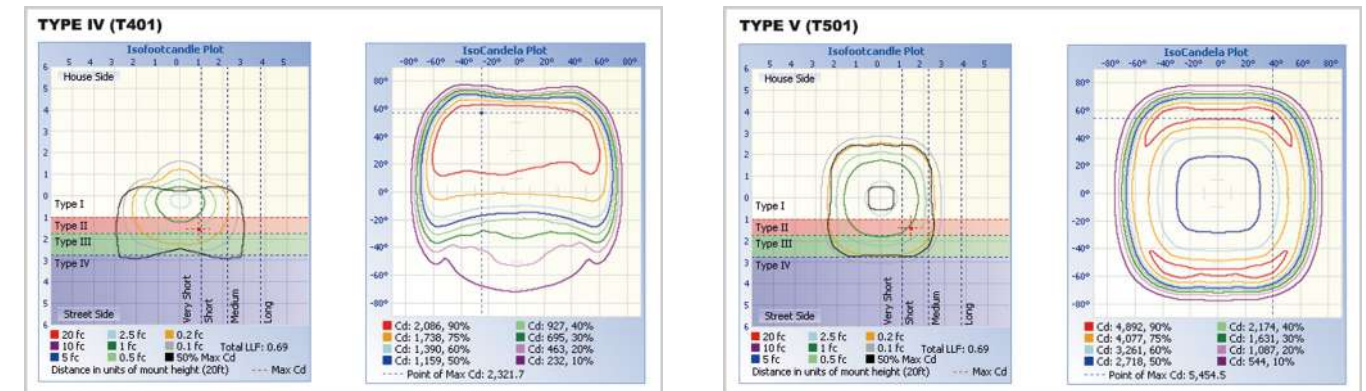
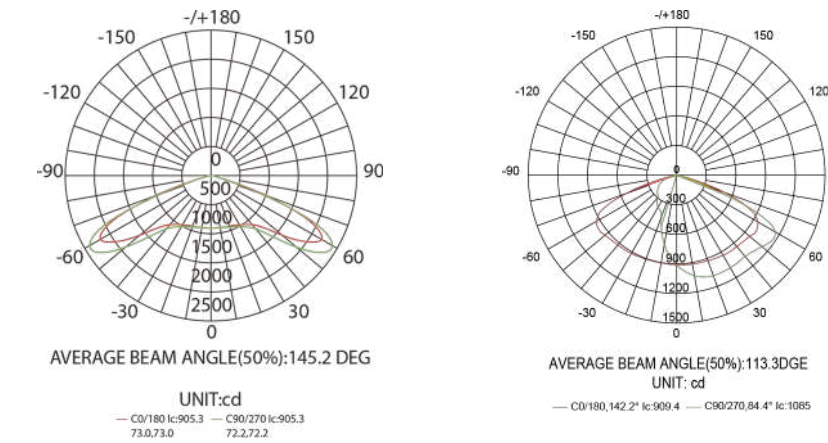
<b>Scx:</b>	0.022m²
<b>IP/IK Rating:</b>	IP66/IK08, (EN 60529 and EN 62262)
<b>Lifespan:</b>	L90B10 > 52000h, @Ta 25°C
<b>Housing Material:</b>	Die-cast aluminum (EN AC-46100)
<b>Finish:</b>	UV stabilized polyester powdering
<b>Painting:</b>	Same as IP series
<b>Working current of single LED:</b>	140mA
<b>Dimension:</b>	Ø410*71mm / Ø16.1*2.8 inches
<b>Carton size(Post top I/II):</b>	600*550*150mm / 23.6*21.6*5.9 inches
<b>Net weight:</b>	5.7kg / 12.57 lbs
<b>Gross weight:</b>	6.6kg / 14.55 lbs

# Ordering Information

AOK	WATTS	VOLTAGE	LED CHIPS	TYPE OF SENSOR	CCT&CRI	DISTRIBUTION	MOUNT	HOUSING
25WiP(S)	NV=100-277V	L3=LUMILEDS 3030	00=Without Sensor	2770=2700K 70CRI	T4=TYPE IV	A=Post Top I	SG=Silver Gray	
50WiP(S)		S3=Seoul 3030	SN=Motion sensor	3070=3000K 70CRI	T5=TYPE V	B=Side Entry	BK=Black	
60WiPS			DV=Dimmable	4070=4000K 70CRI		C=Cable Suspended	Custom on request	
75WiP			PH=Photocell	5070=5000K 70CRI		D=Post Top II		
120WiP				5770=5700K 70CRI				
150WiP				2780=2700K 80CRI				
240WiP				3080=3000K 80CRI				
300WiP				4080=4000K 80CRI				
				5080=5000K 80CRI				
				5780=5700K 80CRI				

\* IP power range: 25W-300W; IPS power range: 25W-60W

# Photometry & Illuminance Diagram



# IP/IPS Series Specification Sheet

\*Due to the constant improvements in product development, individual parameters might change. Please refer to our sales or R&D team for most up-to-date content as specifications are subject to change without notice.

# Accessories

## Mounting Options



Post Top I

Side Entry

Cable Suspended

Post Top II

## Controller & Receptacle



Shorting cap



3 pin/7 pin receptacle

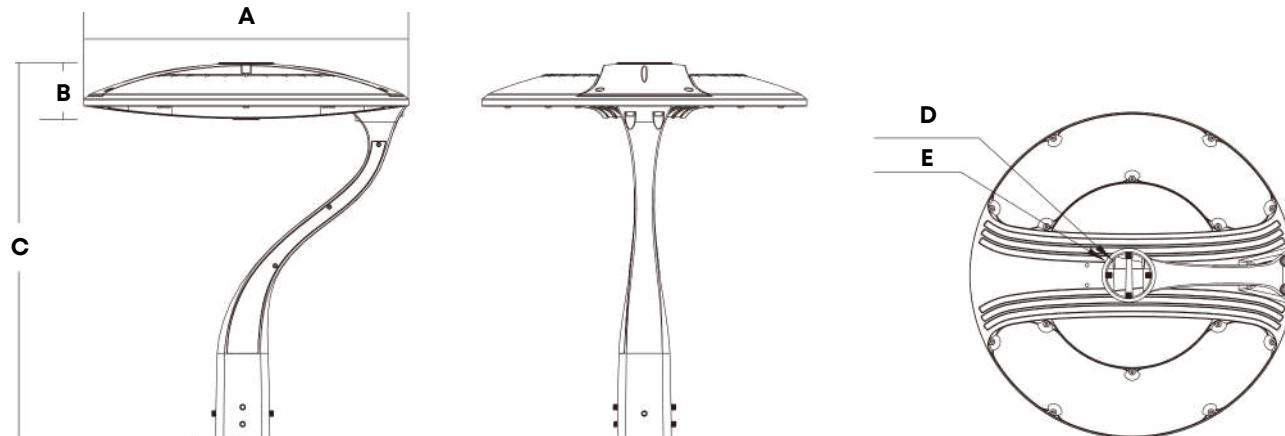


Photocell

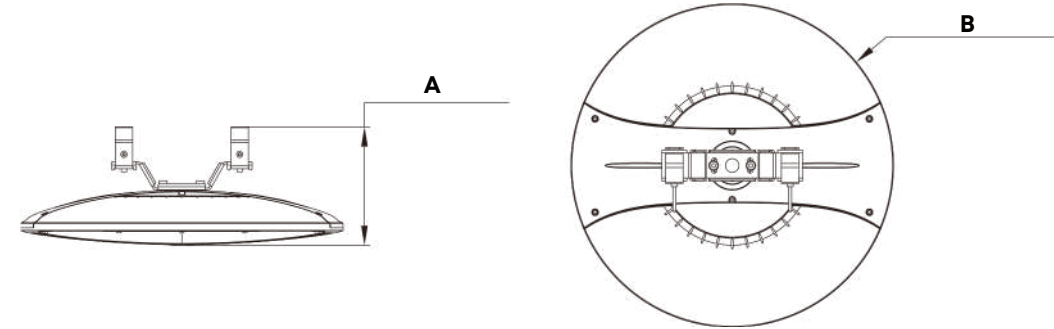


## Dimensions

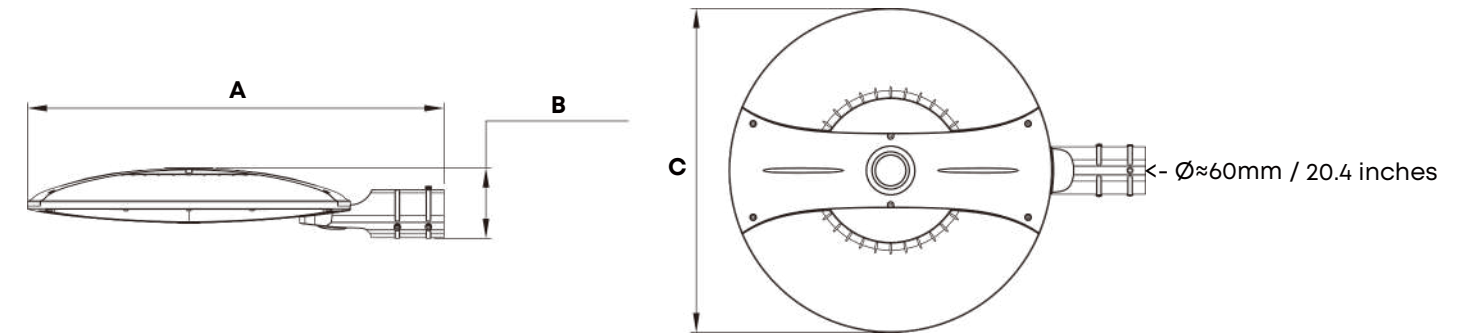
Post Top I	A	B	C	D	E
IP Series 25W-150W	Ø460.0mm Ø18.1 inches	80.0mm 3.1 inches	530.0mm 20.9 inches	Ø62.0mm Ø2.4 inches	Ø76.0mm Ø3.0 inches
IPS Series 25W-60W	Ø410.0mm Ø16.1 inches	70.0mm 2.8 inches	521.0mm 20.5 inches	Ø62.0mm Ø2.4 inches	Ø76.0mm Ø3.0 inches
IP Series 240W-300W	Ø520.0mm Ø20.5 inches	82.0mm 3.2 inches	539.0mm 21.2 inches	Ø62.0mm Ø2.4 inches	Ø76.0mm Ø3.0 inches



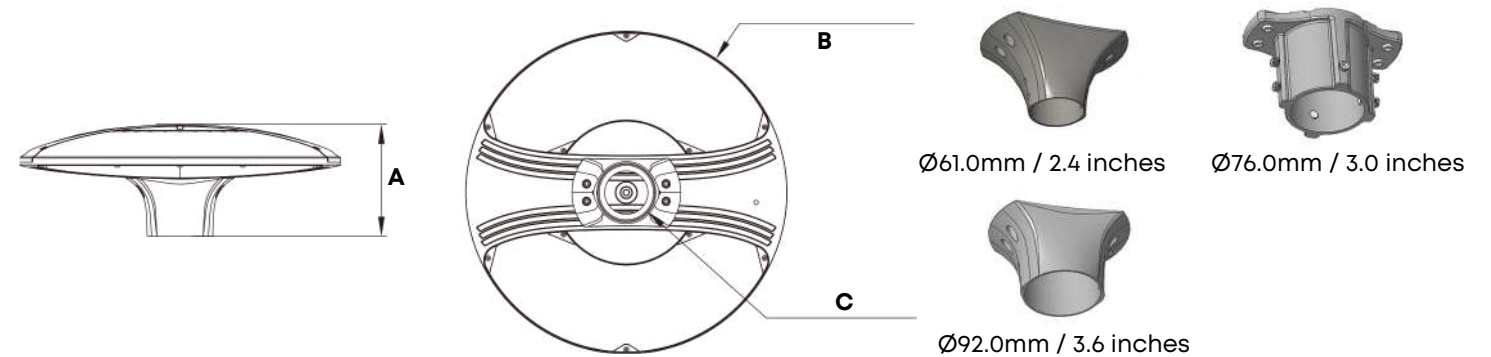
Cable suspended	A	B
IP Series 25W-150W	182.0mm 7.2 inches	Ø460.0mm Ø18.1 inches
IPS Series 25W-60W	172.0mm 6.8 inches	Ø410.0mm Ø16.1 inches
IP Series 240W-300W	190.0mm 7.5 inches	Ø520.0mm Ø20.5 inches



Side entry	A	B	C
IP Series 25W-150W	612.0mm 24.1 inches	106.0mm 4.2 inches	Ø460.0mm Ø18.1 inches
IPS Series 25W-60W	560.0mm 22.0 inches	97.0mm 3.8 inches	Ø410.0mm Ø16.1 inches
IP Series 240W-300W	670.0mm 26.4 inches	113.0mm 4.4 inches	Ø520.0mm Ø20.5 inches



Post top II	A	B	C
IP Series 25W-150W	172.0mm 6.8 inches	Ø460.0mm Ø18.1 inches	Ø61.0mm/Ø76.0mm/Ø92.0mm Ø2.4 inches/Ø3.0 inches/Ø3.6 inches
IPS Series 25W-60W	160.0mm 6.3 inches	Ø410.0mm Ø16.1 inches	Ø61.0mm/Ø76.0mm/Ø92.0mm Ø2.4 inches/Ø3.0 inches/Ø3.6 inches
IP Series 240W-300W	180.0mm 7.1 inches	Ø520.0mm Ø20.5 inches	Ø61.0mm/Ø76.0mm/Ø92.0mm Ø2.4 inches/Ø3.0 inches/Ø3.6 inches



## IP/IPS Series Specification Sheet

\*Due to the constant improvements in product development, individual parameters might change. Please refer to our sales or R&D team for most up-to-date content as specifications are subject to change without notice.

wally@aokledlight.com  
+1 626-986-4050 (US)  
+86 755 2357 9148 (CN)

©2023 AOK LED LIGHT CO., LTD. All Right Reserved.





# Illuminate Your Future



5 Year Limited Warranty,  
10 Year Preferred Warranty.  
Please consult with our sales for detailed agreement.

wally@aokledlight.com  
www.aokledlight.com  
+1 626-986-4050 (US)  
+86 755 2357 9148 (CN)

Manufacturing: Building 1 & 4, St. George's Science and Technology Industrial Park, Shajing Street, Shenzhen, China, 518124.  
Fuzhou HQ: Room 301, Yujing Business Center Zone 1, No. 12 Baihuazhou road, Cangshan district, Fuzhou, China, 350007  
NorthAmerica HQ: 18541 E Gale Ave, City of Industry, CA91748 USA

Copyright ©2023 AOK LED LIGHT CO., LTD. All Right Reserved.