

# LED GROW LIGHT SPECIFICATION

# AN-GL630W-A/B Over 2.5μmol/s/w



## APPLICATIONS

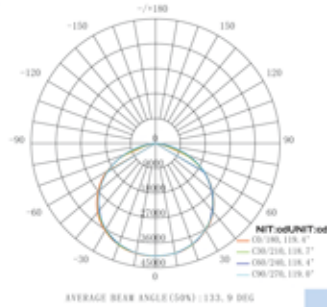
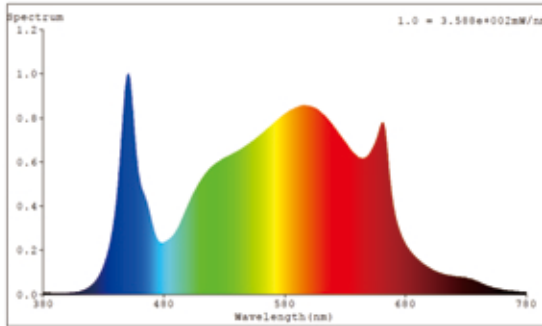
High efficiency supplemental lighting for indoor and outdoor plant growth. Suitable for tomatoes, cucumbers, peppers, cannabis, roses and other plants.

## SPECIFICATION FEATURES

1. Powerful and energy-efficient: Lower energy operating cost compared to metal-halide and sodium lamps.
2. Evenly distributed light, great for maximizing coverage.
3. Cool operating temperature for easy management of ambient air temperature control.
4. Made with Aluminum PCB with high thermal conductivity to disperse heat.
5. Passive cooling so no extra noise.
6. With full spectrum Cree chip, red/blue ration 0/10, 87.5/12.5, 85/15, 80/20 optional. (mimics sunlight)\*\*
7. High performance and high efficiency over 2.5μmol/J
8. APP Intelligent Control.



## SPECIFICATION FEATURES



## PAR TABLE OF DIFFERENT INSTALLATION HEIGHT

### AN-GL630W-A/B

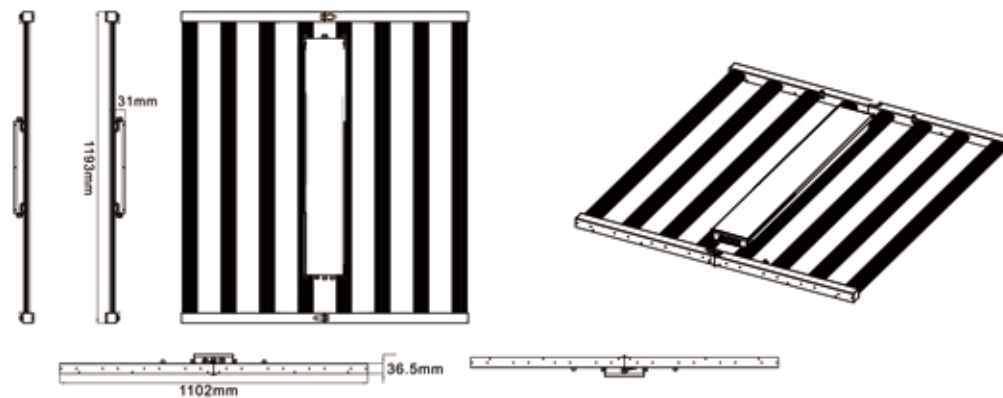
Number	12ft	16ft	20ft	24ft	28ft	32ft	36ft	39ft
1	182	211	200	187	184	179	170	157
2	421	369	329	294	270	249	226	205
3	450	411	383	341	306	269	230	202
4	424	387	344	309	284	258	228	203
5	329	324	270	212	199	188	166	155
6	329	336	303	273	259	238	219	195
7	213	292	317	312	285	256	228	204
8	263	265	265	265	265	265	265	265
9	220	220	220	220	220	220	220	220
10	327	328	329	316	277	251	218	196
11	365	350	328	301	280	254	225	211
12	238	243	242	242	242	242	242	242
13	208	216	216	216	216	216	216	216
14	225	225	225	225	225	225	225	225
15	410	396	361	333	315	298	271	250
16	327	327	327	327	327	327	327	327
17	227	227	227	227	227	227	227	227
18	248	248	248	248	248	248	248	248
19	211	211	211	211	211	211	211	211
20	410	366	331	310	278	249	219	206
21	174	209	176	176	153	160	147	130
22	372	386	383	388	355	339	313	184
23	410	408	342	335	304	271	235	215
24	385	403	312	306	276	251	223	208
25	217	217	217	217	217	217	217	217
合计PAR	12097	12157	9646	8654	7825	7099	6158	5521
PAR效率	19.29159	19.29693	15.31111	13.73651	12.42063	11.12541	9.77469	8.763493

Height (ft)	4x4ft			3x3ft					
	12ft	16ft	20ft	12ft	16ft	20ft			
12"	182	302	421	436	450	437	424	327	229
15"	211	290	369	390	411	392	382	303	224
30"	200	250	299	341	383	364	344	282	220
31"	182	211	261	281	311	328	308	264	212
28"	184	227	279	298	306	295	284	242	199
32"	179	218	270	289	298	287	276	233	186
36"	170	198	226	238	230	229	228	197	166
34"	157	181	205	214	222	213	203	179	155
32"	123	144	173	178	183	183	172	153	127
15"	336	407	507	631	693	639	611	466	358
20"	303	410	517	542	567	543	519	424	329
25"	275	355	457	467	496	477	453	387	316
38"	239	321	382	407	432	416	399	338	276
33"	238	292	358	368	386	365	346	290	231
36"	219	268	296	318	324	311	297	258	218
38"	195	227	259	272	284	273	262	229	196
12"	365	522	726	773	808	792	773	583	410
15"	359	497	643	690	716	699	682	514	366
30"	328	445	562	595	628	603	578	470	361
21"	301	393	491	516	547	517	497	379	283
28"	280	352	424	451	477	457	437	326	245
32"	251	332	399	426	450	429	409	317	238
36"	235	279	322	322	321	318	318	235	184
39"	211	245	278	278	278	282	285	243	200
12"	327	507	687	718	748	733	717	564	410
15"	330	497	643	690	716	699	682	514	366
30"	278	386	494	528	561	537	512	422	331
21"	259	351	451	483	505	471	458	368	280
28"	250	311	371	400	428	412	395	327	278
32"	221	276	333	352	373	356	339	284	249
36"	206	247	288	303	318	303	288	234	219
39"	181	217	253	268	282	283	284	245	206
12"	174	219	272	289	318	298	288	244	217
15"	199	243	296	312	334	313	303	247	211
20"	176	240	303	323	342	327	312	257	211
25"	176	232	294	312	333	321	306	260	213
30"	153	204	255	280	304	290	276	233	190
36"	168	208	259	276	293	281	274	232	183
36"	147	180	233	224	235	229	223	197	171
39"	130	157	184	200	215	212	208	184	160

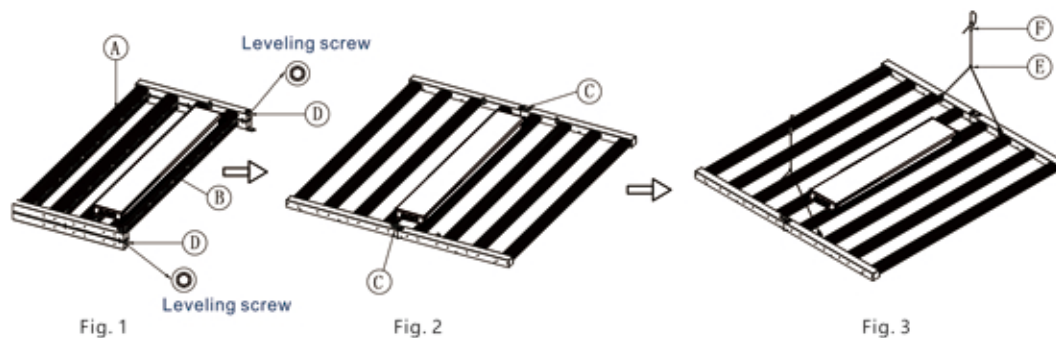
## PARAMETER TABLE

Item Description	AN-GL630W-A	AN-GL630W-B
Input voltage [Vac]	100-277Vac	
Driver	Isolated	Non-isolated
Input current [A]	2.86@220v	
Input wattage [W]	630±10%	
Input frequency [Hz]	50/60	
Power factor	≥0.96@220v	
Voltage [V]	108v	
Current (Reference) [A]	5.4	
Wattage (Reference) [W]	580±10%	
Luminous flux [lm]	84528	
CCT [K]	3800K	2700K
CRI [Ra]	87	
Flux of emitted photons [μmol/s]	1600	
PPFD [PAR]	484(H30cm)	
Beam angle [L, V]	120D	65D
LED chip	Dacol chip	CREE chip 3030
Average life [h]	50,000+	
Color	R20%, G76.5%, B3.5% @ 3800K	
Environment	Wet	
Storage Environment	-40°C~85°C RH10%-95%	
Ambient temperature	-25°C~40°C	
Function	Zigbee Dimming	

## DIMENSIONS



## INSTALLATION



- Step 1: Take out the whole light and hanging rope (2 pcs). (Fig. 1)
- Step 2: Open and keep it on a clean surface, use (D) to make both sides basically straight and then fasten the clasp. (Fig. 2)
- Step 3: Replace the electronic box in the middle, fasten the bolt.
- Step 4: Fasten hanging rope E to the holes at the both sides of light, and fix installation end to the load-bearing body, then adjust installation height through F. (Fig. 3)